

panel mounting socket outlet, straight - flange 75x75,  
fixing centers 60x60

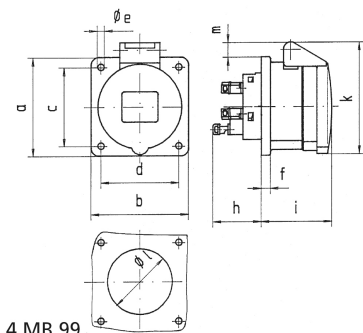


Product description	
BALS-Prd.-Nr	13686
EAN	4024941136860
product group	Panel mounting socket outlet Quick-Connect, straight
current	16A
number of poles	3p
Arrangement of the phases	2P+PE
position of earth contact	6 h
voltage (V)	200 up to 250V

Product description	
frequency	50 and 60Hz
protection degree	IP44
colour code	blue RAL 5015
Colour of appliance	Hinged lid blue, Enclosure grey
connection design	screwless sping/cage/kontex
maximum conductor size (LQ)	4,0 qmm
cable entry (KE)	null
Height	79mm
Width	75mm
Depth	86mm
Flange size vertical	75mm
Flange size horizontal	75mm
Drill hole distance vertical	60mm
Drill hole distance horizontal	60mm
material of enclosure	Polyamide
contact	The contact carrier is made of polyamide, The contacts are brass

Logistics data	
Weight/pcs	0.114 kg / Piece
Packaging	Bag
Content amount	1 ST

Logistics data	
EAN	4024941136860
Length	86 mm
Width	75 mm
Height	79 mm
Weight	0.115 kg
Volume	509.55 ccm
Packaging	Carton
Content amount	10 ST
EAN	4024941957670
Length	275 mm
Width	175 mm
Height	137 mm
Weight	1.265 kg
Volume	5,737.5 ccm



4 MB 99

Ampere	16	16	16	32	32	32
Polzahl	3	4	5	3	4	5
a	75,0	75,0	75,0	75,0	75,0	75,0
b	75,0	75,0	75,0	75,0	75,0	75,0
c	60,0	60,0	60,0	60,0	60,0	60,0
d	60,0	60,0	60,0	60,0	60,0	60,0
e ø	5,5	5,5	5,5	5,5	5,5	5,5
f	7,0	7,0	7,0	8,0	8,0	8,0
h	35,5	35,5	35,5	50,0	50,0	50,0
i	50,0	50,0	51,0	60,0	60,0	60,0
k	74,0	84,0	91,0	94,0	94,0	102,0
l ø	45,0	45,0	55,0	60,0	60,0	60,0
m	3,5	7,0	11,5	12,0	12,0	17,0
Leiter mm <sup>2</sup> min	1,5	1,5	1,5	2,5	2,5	2,5
Leiter mm <sup>2</sup> max	4	4	4	10	10	10