

panel mounting socket outlet, straight - flange 72x65,
fixing centers 52x52

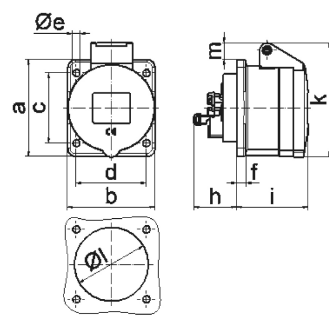


Product description	
BALS-Prd.-Nr	13676
EAN	4024941136761
product group	Panel mounting socket outlet Quick-Connect, straight
current	16A
number of poles	4p
Arrangement of the phases	3P+PE
position of earth contact	7 h
voltage (V)	480 up to 500V

Product description	
frequency	50 and 60Hz
protection degree	IP44
colour code	black RAL 9005
Colour of appliance	Hinged lid black, Enclosure grey
connection design	screwless sping/cage/kontex
maximum conductor size (LQ)	4,0 qmm
cable entry (KE)	null
Height	80.5mm
Width	65mm
Depth	88mm
Flange size vertical	72mm
Flange size horizontal	65mm
Drill hole distance vertical	52mm
Drill hole distance horizontal	52mm
material of enclosure	Polyamide
contact	The contact carrier is made of polyamide, The contacts are brass

Logistics data	
Weight/pcs	0.115 kg / Piece
Packaging	Bag
Content amount	1 ST

Logistics data	
EAN	4024941136761
Length	88 mm
Width	65 mm
Height	80.5 mm
Weight	0.116 kg
Volume	460.46 ccm
Packaging	Carton
Content amount	10 ST
EAN	4024941829021
Length	275 mm
Width	175 mm
Height	137 mm
Weight	1.275 kg
Volume	5,737.5 ccm



4 MB 100

Ampere	16	16	16				
Polzahl	3	4	5				
a	62,0	72,0	72,0				
b	62,0	65,0	65,0				
c	47,0	52,0	52,0				
d	47,0	52,0	52,0				
e ø	5,5	5,5	5,5				
f	7,0	7,0	7,0				
h	35,5	35,5	35,5				
i	51,0	53,0	53,0				
k	70,0	80,0	85,0				
ø	45,0	45,0	55,0				
m	10,0	9,0	13,0				
Leiter mm ² min	1,5	1,5	1,5				
Leiter mm ² max	4	4	4				