

panel mounting socket outlet, straight - flange 62x62,
fixing centers 47x47

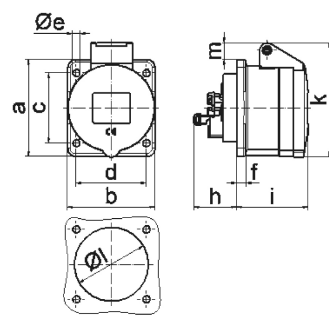


Product description	
BALS-Prd.-Nr	13667
EAN	4024941136679
product group	Panel mounting socket outlet Quick-Connect, straight
current	16A
number of poles	3p
Arrangement of the phases	2P+PE
position of earth contact	4 h
voltage (V)	100 up to 130V

Product description	
frequency	50 and 60Hz
protection degree	IP44
colour code	yellow RAL 1012
Colour of appliance	Hinged lid yellow, Enclosure grey
connection design	screwless sping/cage/kontex
maximum conductor size (LQ)	4,0 qmm
cable entry (KE)	null
Height	70mm
Width	62mm
Depth	86mm
Flange size vertical	62mm
Flange size horizontal	62mm
Drill hole distance vertical	47mm
Drill hole distance horizontal	47mm
material of enclosure	Polyamide
contact	The contact carrier is made of polyamide, The contacts are brass

Logistics data	
Weight/pcs	0.104 kg / Piece
Packaging	Bag
Content amount	1 ST

Logistics data	
EAN	4024941136679
Length	86 mm
Width	62 mm
Height	70 mm
Weight	0.105 kg
Volume	373.24 ccm
Packaging	Carton
Content amount	10 ST
EAN	4024941828956
Length	248 mm
Width	158 mm
Height	123 mm
Weight	1.137 kg
Volume	3,960 ccm



4 MB 100

Ampere	16	16	16				
Polzahl	3	4	5				
a	62,0	72,0	72,0				
b	62,0	65,0	65,0				
c	47,0	52,0	52,0				
d	47,0	52,0	52,0				
e ø	5,5	5,5	5,5				
f	7,0	7,0	7,0				
h	35,5	35,5	35,5				
i	51,0	53,0	53,0				
k	70,0	80,0	85,0				
ø	45,0	45,0	55,0				
m	10,0	9,0	13,0				
Leiter mm ² min	1,5	1,5	1,5				
Leiter mm ² max	4	4	4				

Abbildung ähnlich - similar picture