

panel mounting socket outlet, straight - flange 120x120,
fixing centers 100x100

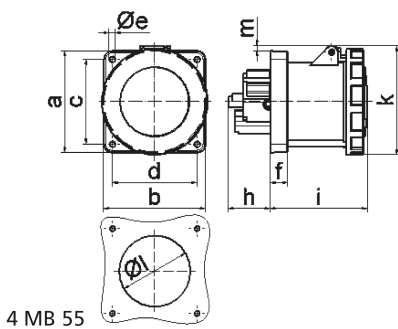


Product description	
BALS-Prd.-Nr	13448
EAN	4024941134484
product category (PG)	GT panel mounting socket outlet straight
current (A)	125A
number of poles (P99)	4p
number of poles (P)	3P+PE
position of earth contact (H)	7 h
voltage (V)	480 up to 500V

Product description	
frequency (HZ)	50 and 60Hz
protection degree (SA)	IP67
colour code 1 (KF1)	black RAL 9005
Colour of appliance	Hinged lid black, Bayonet ring grey, Enclosure grey
connection design (AT)	screw terminal as box terminal with Kontex-contact
maximum conductor size (LQ)	70.0 qmm
cable entry (KE)	null
Height	129mm
Width	125mm
Depth	166mm
Flange size vertical	120mm
Flange size horizontal	120mm
Drill hole distance vertical	100mm
Drill hole distance horizontal	100mm
material of enclosure (GM)	Polyamide
contact	The contact carrier is made of high temperature resistant material, the contacts are brass nickel plated

Logistics data	
Weight/pcs	1.01 kg / Piece
Packaging	Carton
Content amount	5 ST

Logistics data	
EAN	4024941958561
Length	330 mm
Width	216 mm
Height	260 mm
Weight	5.276 kg
Volume	17,062.5 ccm



Ampere Polzahl	125 3	125 4	125 5			
a	120,0	120,0	120,0			
b	120,0	120,0	120,0			
c	100,0	100,0	100,0			
d	100,0	100,0	100,0			
e ø	6,5	6,5	6,5			
f	21,0	21,0	21,0			
h	50,0	50,0	50,0			
i	117,0	117,0	117,0			
k	129,0	129,0	129,0			
l ø	104,0	104,0	104,0			
m	6,0	6,0	6,0			
Leiter mm ² min	25	25	25			
Leiter mm ² max	70	70	70			