

panel mounting socket outlet, straight - flange 130x130,
fixing centers 104x104

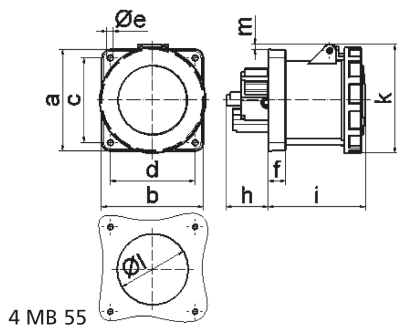


Product description	
BALS-Prd.-Nr	13434
EAN	4024941134347
product category (PG)	GT panel mounting socket outlet straight
current (A)	125A
number of poles (P99)	3p
number of poles (P)	2P+PE
position of earth contact (H)	6 h
voltage (V)	200 up to 250V

Product description	
frequency (HZ)	50 and 60Hz
protection degree (SA)	IP67
colour code 1 (KF1)	blue RAL 5015
Colour of appliance	Hinged lid blue, Bayonet ring grey, Enclosure grey
connection design (AT)	screw terminal as box terminal with Kontex-contact
maximum conductor size (LQ)	70.0 qmm
cable entry (KE)	null
Height	130mm
Width	130mm
Depth	166mm
Flange size vertical	130mm
Flange size horizontal	130mm
Drill hole distance vertical	104mm
Drill hole distance horizontal	104mm
material of enclosure (GM)	Polyamide
contact	The contact carrier is made of high temperature resistant material, the contacts are brass nickel plated

Logistics data	
Weight/pcs	0.9 kg / Piece
Packaging	Carton
Content amount	5 ST

Logistics data	
EAN	4024941830416
Length	330 mm
Width	216 mm
Height	260 mm
Weight	4.726 kg
Volume	17,062.5 ccm



Ampere Polzahl	125 3	125 4	125 5			
a	130,0	130,0	130,0			
b	130,0	130,0	130,0			
c	104,0	104,0	104,0			
d	104,0	104,0	104,0			
e ø	6,5	6,5	6,5			
f	21,0	21,0	21,0			
h	50,0	50,0	50,0			
i	117,0	117,0	117,0			
k	129,0	129,0	129,0			
l ø	104,0	104,0	104,0			
m	1,0	1,0	1,0			
Leiter mm ² min	25	25	25			
Leiter mm ² max	70	70	70			