

panel mounting socket outlet, straight - flange 75x75,  
fixing centers 60x60

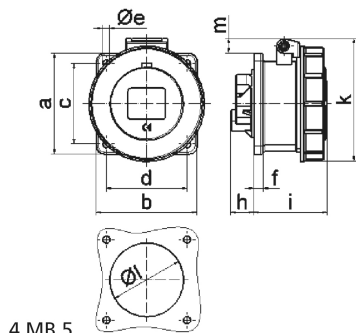


Product description	
BALS-Prd.-Nr	13378
EAN	4024941133784
product category	GT panel mounting socket outlet straight
current	32A
number of poles	5p
number of poles	3p+N+PE
position of earth contact	2 h
voltage	> 50V

Product description	
frequency	over 300 up to 500Hz
protection degree	IP67
colour code	green RAL 6002
Colour of appliance	Hinged lid green, Bayonet ring grey, Enclosure grey
connection design	screw terminal
maximum conductor size	10,0 qmm
cable entry	null
Height	105mm
Width	101mm
Depth	83mm
Flange size vertical	75mm
Flange size horizontal	75mm
Drill hole distance vertical	60mm
Drill hole distance horizontal	60mm
material of enclosure	Polyamide
contact	The contact carrier is made of polyamide, The contacts are brass

Logistics data	
Weight/pcs	0.285 kg / Piece
Packaging	Bag
Content amount	1 ST

Logistics data	
EAN	4024941133784
Length	83 mm
Width	101 mm
Height	105 mm
Weight	0.286 kg
Volume	880.215 ccm
Packaging	Carton
Content amount	10 ST
EAN	4024941841474
Length	258 mm
Width	183 mm
Height	212 mm
Weight	3.002 kg
Volume	8,750 ccm



Ampere Polzahl	16 3	16 4	16 5	32 3	32 4	32 5
a	75,0	75,0	75,0	75,0	75,0	75,0
b	75,0	75,0	75,0	75,0	75,0	75,0
c	60,0	60,0	60,0	60,0	60,0	60,0
d	60,0	60,0	60,0	60,0	60,0	60,0
e ø	5,5	5,5	5,5	5,5	5,5	5,5
f	7,0	7,0	7,0	8,0	8,0	8,0
h	17,0	26,0	17,0	36,0	36,0	19,0
i	57,0	58,0	57,0	65,0	65,0	65,0
k	76,0	83,0	93,0	100,0	100,0	106,0
l ø	45,0	45,0	55,0	60,0	60,0	60,0
m	3,5	7,0	11,5	12,0	12,0	17,0
Leiter mm <sup>2</sup> min	1,5	1,5	1,5	2,5	2,5	2,5
Leiter mm <sup>2</sup> max	4	4	4	10	10	10