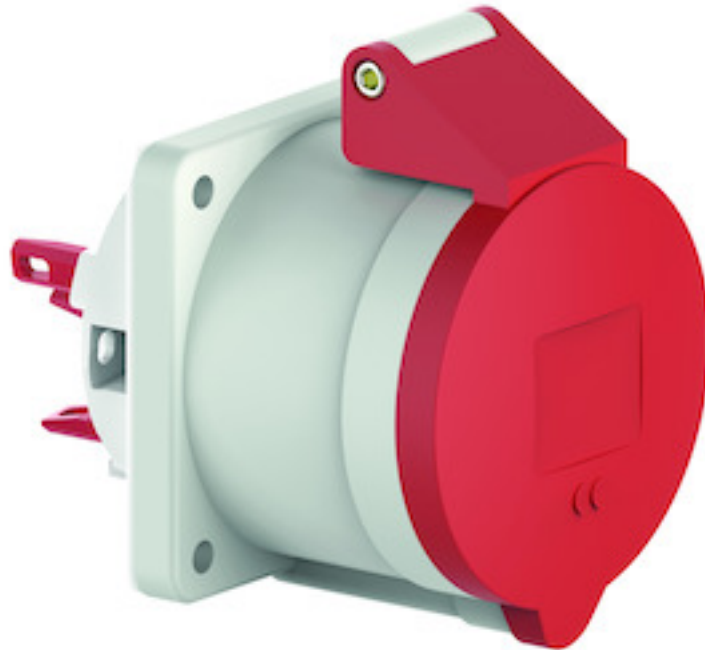


panel mounting socket outlet, straight - flange 75x75,
fixing centers 60x60

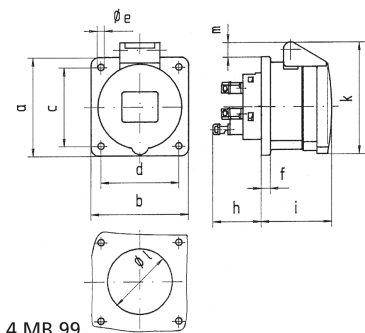


| Product description | |
|---------------------------|--|
| BALS-Prd.-Nr | 132002 |
| EAN | 4024941019248 |
| product group | Panel mounting socket outlet Quick-Connect, straight |
| current | 32A |
| number of poles | 5p |
| Arrangement of the phases | 3p+N+PE |
| position of earth contact | 6 h |
| voltage (V) | 200/346 up to 240/415V |

| Product description | |
|--------------------------------|--|
| frequency | 50 and 60Hz |
| protection degree | IP44 |
| colour code | red RAL 3000 |
| Colour of appliance | Hinged lid red, Enclosure grey |
| connection design | screwless sping/cage/kontex |
| maximum conductor size (LQ) | 10,0 qmm |
| cable entry (KE) | null |
| Height | 98mm |
| Width | 75mm |
| Depth | 109mm |
| Flange size vertical | 75mm |
| Flange size horizontal | 75mm |
| Drill hole distance vertical | 60mm |
| Drill hole distance horizontal | 60mm |
| material of enclosure | Polyamide |
| contact | The contact carrier is made of polyamide, The contacts are brass |

| Logistics data | |
|----------------|----------------|
| Weight/pcs | 0.2 kg / Piece |
| Packaging | Bag |
| Content amount | 1 ST |

| Logistics data | |
|----------------|---------------|
| EAN | 4024941019248 |
| Length | 109 mm |
| Width | 75 mm |
| Height | 98 mm |
| Weight | 0.201 kg |
| Volume | 801.15 ccm |
| Packaging | Carton |
| Content amount | 10 ST |
| EAN | 4024941970501 |
| Length | 258 mm |
| Width | 183 mm |
| Height | 212 mm |
| Weight | 2.152 kg |
| Volume | 8,750 ccm |



4 MB 99

| Ampere | 16 | 16 | 16 | 32 | 32 | 32 |
|----------------------------|------|------|------|------|------|-------|
| Polzahl | 3 | 4 | 5 | 3 | 4 | 5 |
| a | 75,0 | 75,0 | 75,0 | 75,0 | 75,0 | 75,0 |
| b | 75,0 | 75,0 | 75,0 | 75,0 | 75,0 | 75,0 |
| c | 60,0 | 60,0 | 60,0 | 60,0 | 60,0 | 60,0 |
| d | 60,0 | 60,0 | 60,0 | 60,0 | 60,0 | 60,0 |
| e ø | 5,5 | 5,5 | 5,5 | 5,5 | 5,5 | 5,5 |
| f | 7,0 | 7,0 | 7,0 | 8,0 | 8,0 | 8,0 |
| h | 35,5 | 35,5 | 35,5 | 50,0 | 50,0 | 50,0 |
| i | 50,0 | 50,0 | 51,0 | 60,0 | 60,0 | 60,0 |
| k | 74,0 | 84,0 | 91,0 | 94,0 | 94,0 | 102,0 |
| l ø | 45,0 | 45,0 | 55,0 | 60,0 | 60,0 | 60,0 |
| m | 3,5 | 7,0 | 11,5 | 12,0 | 12,0 | 17,0 |
| Leiter mm ² min | 1,5 | 1,5 | 1,5 | 2,5 | 2,5 | 2,5 |
| Leiter mm ² max | 4 | 4 | 4 | 10 | 10 | 10 |