

panel mounting socket outlet, straight - flange 90x90,
fixing centers 60x60

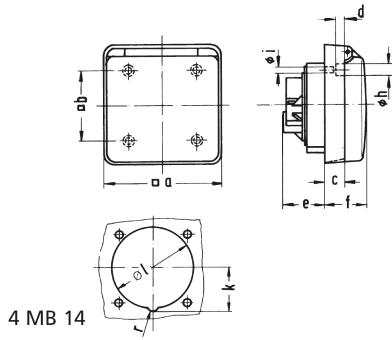


Product description	
BALS-Prd.-Nr	13146-BE
EAN	4024941945707
product category (PG)	GT panel mounting socket outlet straight
current (A)	32A
number of poles (P99)	5p
number of poles (P)	3p+N+PE
position of earth contact (H)	6 h
voltage (V)	200/346 up to 240/415V

Product description	
frequency (HZ)	50 and 60Hz
protection degree (SA)	IP44
colour code 1 (KF1)	gray RAL 7035
Colour of appliance	Hinged lid grey, Enclosure grey
connection design (AT)	with screw terminal
maximum conductor size (LQ)	10,0 qmm
cable entry (KE)	null
Height	90mm
Width	90mm
Depth	70.5mm
Flange size vertical	90mm
Flange size horizontal	90mm
Drill hole distance vertical	60mm
Drill hole distance horizontal	60mm
material of enclosure (GM)	Polyamide
contact	The contact carrier is made of polyamide, the contacts are brass nickel plated

Additional technical information	
	For mounting in cable trunkings

Logistics data	
Weight/pcs	0.287 kg / Piece
Packaging	Bag
Content amount	1 ST
EAN	4024941945707
Length	70.5 mm
Width	90 mm
Height	90 mm
Weight	0.288 kg
Volume	571.05 ccm
Packaging	Carton
Content amount	10 ST
EAN	4024941945714
Length	258 mm
Width	183 mm
Height	212 mm
Weight	3.019 kg
Volume	8,750 ccm



Ampere Polzahl	16 3	16 5	32 5			
a □	91,0	91,0	90,0			
b □	70,0	70,0	60,0			
c	15,2	15,2	-			
d ø	2,7	2,7	-			
e	28,0	28,0	31,0			
f	36,0	36,0	39,5			
h ø	7,5	7,5	-			
i ø	4,8	4,8	4,1			
k	-	34,0	42,5			
l	54,0	64,0	75,0			
r	-	10,0	10,0			
Leiter mm ² min	1,5	1,5	2,5			
Leiter mm ² max	4	4	10			