

panel mounting socket outlet, straight - flange 91x91,
fixing centers 70x70

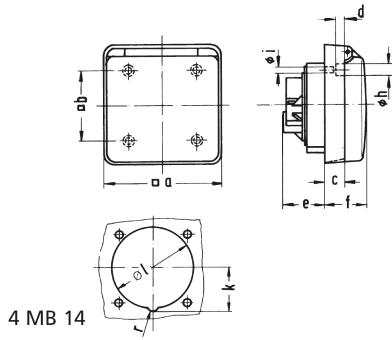


Product description	
BALS-Prd.-Nr	13107
EAN	4024941131070
product group	GT panel mounting socket outlet straight
current	16A
number of poles	5p
Arrangement of the phases	3p+N+PE
position of earth contact	9 h
voltage (V)	120/208 up to 144/250V

Product description	
frequency	50 and 60Hz
protection degree	IP44
colour code	blue RAL 5015
Colour of appliance	Hinged lid grey, Enclosure grey
connection design	with screw terminal
maximum conductor size (LQ)	4,0 qmm
cable entry (KE)	null
Height	91mm
Width	91mm
Depth	64mm
Flange size vertical	91mm
Flange size horizontal	91mm
Drill hole distance vertical	70mm
Drill hole distance horizontal	70mm
material of enclosure	Polyamide
contact	The contact carrier is made of polyamide, The contacts are brass

Additional technical information	
	For mounting in cable trunkings

Logistics data	
Weight/pcs	0.219 kg / Piece
Packaging	Bag
Content amount	1 ST
EAN	4024941131070
Length	64 mm
Width	91 mm
Height	91 mm
Weight	0.22 kg
Volume	1,772.216 ccm
Packaging	Carton
Content amount	10 ST
EAN	4024941831192
Length	258 mm
Width	183 mm
Height	212 mm
Weight	2.342 kg
Volume	8,750 ccm



Ampere Polzahl	16 3	16 5	32 5			
a □	91,0	91,0	90,0			
b □	70,0	70,0	60,0			
c	15,2	15,2	-			
d ø	2,7	2,7	-			
e	28,0	28,0	31,0			
f	36,0	36,0	39,5			
h ø	7,5	7,5	-			
i ø	4,8	4,8	4,1			
k	-	34,0	42,5			
l	54,0	64,0	75,0			
r	-	10,0	10,0			
Leiter mm ² min	1,5	1,5	2,5			
Leiter mm ² max	4	4	10			