

flange 75x75, fixing centers 60x60

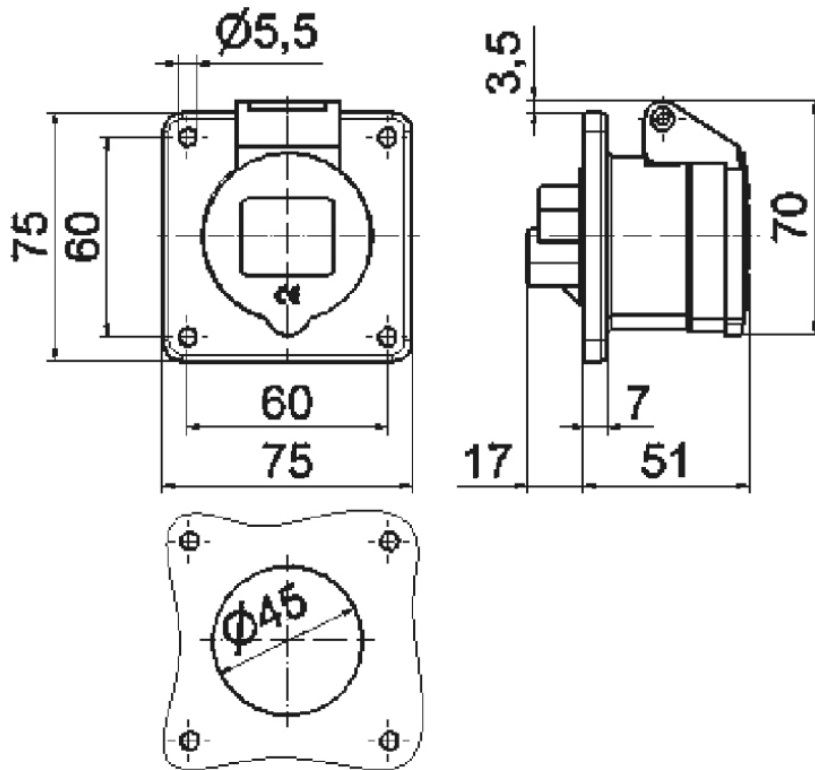


Product description	
BALS-Prd.-Nr	13070
EAN	4024941130707
product category	GT panel mounting socket outlet straight
current	16A
number of poles	3p
number of poles	2P+PE
position of earth contact	3 h
voltage	over 50 up to 250V
frequency	direct current (DC)

Product description	
protection degree	IP44
colour code	gray RAL 7035
Colour of appliance	Hinged lid grey, Enclosure grey
connection design	with screw terminal
maximum conductor size	4,0 qmm
cable entry	null
Height	75mm
Width	75mm
Depth	66.5mm
Flange size vertical	75mm
Flange size horizontal	75mm
Drill hole distance vertical	60mm
Drill hole distance horizontal	60mm
material of enclosure	Polyamide
contact	The contact carrier is made of high temperature resistant material, the contacts are brass nickel plated

Logistics data	
Weight/pcs	0.117 kg / Piece
Packaging	Bag
Content amount	1 ST
EAN	4024941130707

Logistics data	
Length	66.5 mm
Width	75 mm
Height	75 mm
Weight	0.118 kg
Volume	374.063 ccm
Packaging	Carton
Content amount	10 ST
EAN	4024941821223
Length	275 mm
Width	175 mm
Height	137 mm
Weight	1.295 kg
Volume	5,737.5 ccm



4 MB 74