

flange 75x75, fixing centers 60x60

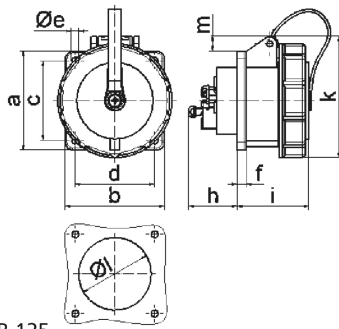


| Product description | |
|---------------------------|--|
| BALS-Prd.-Nr | 13066 |
| EAN | 4024941130660 |
| product group | TN panel mounting socket outlet Quick-Connect straight |
| current | 32A |
| number of poles | 5p |
| Arrangement of the phases | 3p+N+PE |
| position of earth contact | 6 h |
| voltage (V) | 200/346 up to 240/415V |
| frequency | 50 and 60Hz |

| Product description | |
|--------------------------------|--|
| VG-Type-No.: | VG 96919 AS 005 |
| Supplynumber: | 5935-12-300-5323 |
| protection degree | IP67 |
| colour code | bronze-green RAL 6031-F9 |
| Colour of appliance | Bayonet ring bronze-green, Hinged lid bronze-green, Enclosure bronze-green, Enclosure grey |
| connection design | screwless sping/cage/kontex |
| maximum conductor size (LQ) | 10,0 qmm |
| cable entry (KE) | null |
| Height | 106mm |
| Width | 101.5mm |
| Depth | 113mm |
| Flange size vertical | 75mm |
| Flange size horizontal | 75mm |
| Drill hole distance vertical | 60mm |
| Drill hole distance horizontal | 60mm |
| material of enclosure | Polyamide |
| contact | The contact carrier is made of high temperature resistant material, the contacts are brass nickel plated |

| Additional technical information | |
|----------------------------------|-----------------------------|
| | With bayonet cover on strap |

| Logistics data | |
|----------------|------------------|
| Weight/pcs | 0.298 kg / Piece |
| Packaging | Bag |
| Content amount | 1 ST |
| EAN | 4024941130660 |
| Length | 113 mm |
| Width | 101.5 mm |
| Height | 106 mm |
| Weight | 0.299 kg |
| Volume | 1,215.767 ccm |
| Packaging | Carton |
| Content amount | 10 ST |
| EAN | 4024941821216 |
| Length | 122 mm |
| Width | 222 mm |
| Height | 538 mm |
| Weight | 3.318 kg |
| Volume | 14,332.32 ccm |



4 MB 125

| Ampere Polzahl | 16 3 | 16 4 | 16 5 | 32 3 | 32 4 | 32 5 |
|----------------------------|---------|---------|---------|---------|---------|---------|
| a | 75,0 | 75,0 | 75,0 | 75,0 | 75,0 | 75,0 |
| b | 75,0 | 75,0 | 75,0 | 75,0 | 75,0 | 75,0 |
| c | 60,0 | 60,0 | 60,0 | 60,0 | 60,0 | 60,0 |
| d | 60,0 | 60,0 | 60,0 | 60,0 | 60,0 | 60,0 |
| e ø | 5,5 | 5,5 | 5,5 | 5,5 | 5,5 | 5,5 |
| f | 7,0 | 7,0 | 7,0 | 8,0 | 8,0 | 8,0 |
| h | 35,0 | 35,0 | 35,0 | 50,0 | 50,0 | 50,0 |
| i | 57,0 | 57,0 | 57,0 | 69,0 | 69,0 | 69,0 |
| k | 77,0 | 83,0 | 93,0 | 98,0 | 98,0 | 107,0 |
| l ø | 45,0 | 75,0 | 55,0 | 60,0 | 60,0 | 60,0 |
| m | 4,0 | 7,0 | 12,0 | 12,0 | 12,0 | 17,0 |
| Leiter mm ² min | 1,5 | 1,5 | 1,5 | 2,5 | 2,5 | 2,5 |
| Leiter mm ² max | 4,0 | 4,0 | 4,0 | 10,0 | 10,0 | 10,0 |