

# panel mounting socket outlet, straight - flange 107x100 fixing centers 85x77

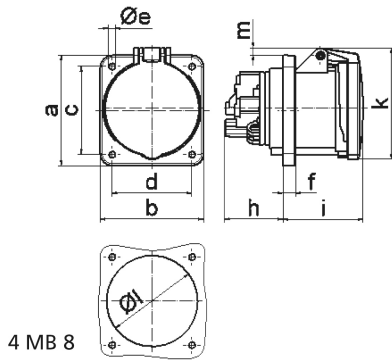


Product description	
BALS-Prd.-Nr	1305
EAN	4024941013055
product category (PG)	GT panel mounting socket outlet straight
current (A)	63A
number of poles (P99)	5p
number of poles (P)	3p+N+PE
position of earth contact (H)	9 h
voltage (V)	120/208 up to 144/250V

Product description	
frequency (HZ)	50 and 60Hz
protection degree (SA)	IP44
colour code 1 (KF1)	blue RAL 5015
Colour of appliance	Hinged lid blue, Enclosure grey
connection design (AT)	screw terminal as box terminal with Kontex-contact
maximum conductor size (LQ)	25.0 qmm
cable entry (KE)	null
Height	114mm
Width	100mm
Depth	134mm
Flange size vertical	107mm
Flange size horizontal	100mm
Drill hole distance vertical	85mm
Drill hole distance horizontal	77mm
material of enclosure (GM)	Polyamide
contact	The contact carrier is made of high temperature resistant material, the contacts are brass nickel plated

Logistics data	
Weight/pcs	0.53 kg / Piece
Packaging	Carton
Content amount	5 ST

Logistics data	
EAN	4024941829137
Length	258 mm
Width	183 mm
Height	212 mm
Weight	2.799 kg
Volume	8,750 ccm



Ampere	63	63	63			
Polzahl	3	4	5			
a	107,0	107,0	107,0			
b	100,0	100,0	100,0			
c	85,0	85,0	85,0			
d	77,0	77,0	77,0			
e ø	6,5	6,5	6,5			
f	12,0	12,0	12,0			
h	56,5	56,5	56,5			
i	77,0	77,0	77,0			
k	110,0	110,0	110,0			
l ø	88,0	88,0	88,0			
m	7,0	7,0	7,0			
Leiter mm <sup>2</sup> min	6	6	6			
Leiter mm <sup>2</sup> max	25	25	25			