

panel mounting socket outlet, straight - flange 75x75,  
fixing centers 60x60

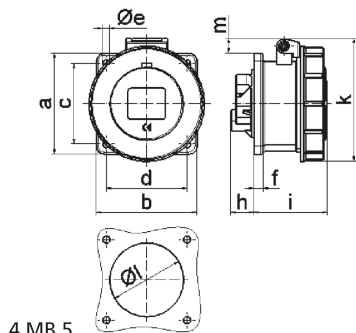


Product description	
BALS-Prd.-Nr	13044
EAN	4024941130448
product category	GT panel mounting socket outlet straight
current	16A
number of poles	5p
number of poles	3p+N+PE
position of earth contact	7 h
voltage	277/480 up to 288/500V

Product description	
frequency	50 and 60Hz
protection degree	IP67
colour code	black RAL 9005
Colour of appliance	Hinged lid black, Bayonet ring grey, Enclosure grey
connection design	with screw terminal
maximum conductor size	4,0 qmm
cable entry	null
Height	92mm
Width	86mm
Depth	72mm
Flange size vertical	75mm
Flange size horizontal	75mm
Drill hole distance vertical	60mm
Drill hole distance horizontal	60mm
material of enclosure	Polyamide
contact	The contact carrier is made of polyamide, The contacts are brass

Logistics data	
Weight/pcs	0.215 kg / Piece
Packaging	Bag
Content amount	1 ST

Logistics data	
EAN	4024941130448
Length	72 mm
Width	86 mm
Height	92 mm
Weight	0.216 kg
Volume	569.664 ccm
Packaging	Carton
Content amount	10 ST
EAN	4024941841344
Length	245 mm
Width	177 mm
Height	185 mm
Weight	2.283 kg
Volume	7,140 ccm



Ampere Polzahl	16 3	16 4	16 5	32 3	32 4	32 5
a	75,0	75,0	75,0	75,0	75,0	75,0
b	75,0	75,0	75,0	75,0	75,0	75,0
c	60,0	60,0	60,0	60,0	60,0	60,0
d	60,0	60,0	60,0	60,0	60,0	60,0
e ø	5,5	5,5	5,5	5,5	5,5	5,5
f	7,0	7,0	7,0	8,0	8,0	8,0
h	17,0	26,0	17,0	36,0	36,0	19,0
i	57,0	58,0	57,0	65,0	65,0	65,0
k	76,0	83,0	93,0	100,0	100,0	106,0
l ø	45,0	45,0	55,0	60,0	60,0	60,0
m	3,5	7,0	11,5	12,0	12,0	17,0
Leiter mm <sup>2</sup> min	1,5	1,5	1,5	2,5	2,5	2,5
Leiter mm <sup>2</sup> max	4	4	4	10	10	10