

panel mounting socket outlet, straight - flange 75x75,
fixing centers 60x60

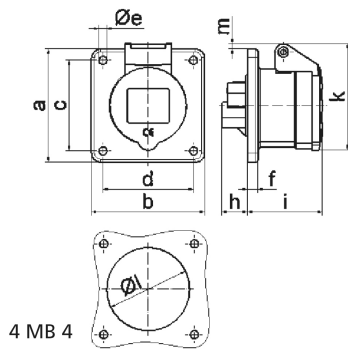


Product description	
BALS-Prd.-Nr	13042
EAN	4024941130424
product category	GT panel mounting socket outlet straight
current	16A
number of poles	3p
number of poles	2P+PE
position of earth contact	7 h
voltage	480 up to 500V

Product description	
frequency	50 and 60Hz
protection degree	IP44
colour code	black RAL 9005
Colour of appliance	Hinged lid black, Enclosure grey
connection design	with screw terminal
maximum conductor size	4,0 qmm
cable entry	null
Height	78.5mm
Width	75mm
Depth	67mm
Flange size vertical	75mm
Flange size horizontal	75mm
Drill hole distance vertical	60mm
Drill hole distance horizontal	60mm
material of enclosure	Polyamide
contact	The contact carrier is made of polyamide, The contacts are brass

Logistics data	
Weight/pcs	0.111 kg / Piece
Packaging	Bag
Content amount	1 ST

Logistics data	
EAN	4024941130424
Length	67 mm
Width	75 mm
Height	78.5 mm
Weight	0.112 kg
Volume	394.463 ccm
Packaging	Carton
Content amount	10 ST
EAN	4024941941143
Length	275 mm
Width	175 mm
Height	137 mm
Weight	1.235 kg
Volume	5,737.5 ccm



Ampere Polzahl	16 3	16 4	16 5	32 3	32 4	32 5
a	75,0	75,0	75,0	75,0	75,0	75,0
b	75,0	75,0	75,0	75,0	75,0	75,0
c	60,0	60,0	60,0	60,0	60,0	60,0
d	60,0	60,0	60,0	60,0	60,0	60,0
e ø	5,5	5,5	5,5	5,5	5,5	5,5
f	7,0	7,0	7,0	8,0	8,0	8,0
h	17,0	26,0	17,0	36,0	36,0	19,0
i	51,0	53,0	53,0	62,0	62,0	62,0
k	70,0	80,0	85,0	90,0	90,0	98,0
l ø	45,0	45,0	55,0	60,0	60,0	60,0
m	3,5	7,0	11,5	12,0	12,0	17,0
Leiter mm ² min	1,5	1,5	1,5	2,5	2,5	2,5
Leiter mm ² max	4	4	4	10	10	10