

panel mounting socket outlet, straight - flange 75x75,
fixing centers 60x60

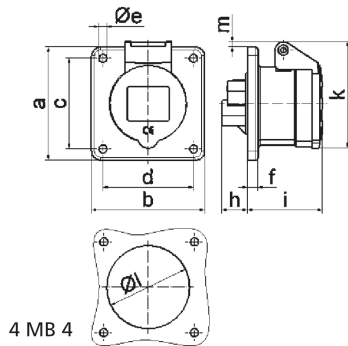


Product description	
BALS-Prd.-Nr	13034
EAN	4024941130349
product category (PG)	GT panel mounting socket outlet straight
current (A)	16A
number of poles (P99)	5p
number of poles (P)	3p+N+PE
position of earth contact (H)	10 h
voltage (V)	> 50V

Product description	
frequency (HZ)	100 up to 300Hz
protection degree (SA)	IP44
colour code 1 (KF1)	green RAL 6002
Colour of appliance	Hinged lid green, Enclosure grey
connection design (AT)	with screw terminal
maximum conductor size (LQ)	4,0 qmm
cable entry (KE)	null
Height	86mm
Width	75mm
Depth	71mm
Flange size vertical	75mm
Flange size horizontal	75mm
Drill hole distance vertical	60mm
Drill hole distance horizontal	60mm
material of enclosure (GM)	Polyamide
contact	The contact carrier is made of polyamide, The contacts are brass

Logistics data	
Weight/pcs	0.14 kg / Piece
Packaging	Carton
Content amount	10 ST

Logistics data	
EAN	4024941841047
Length	245 mm
Width	177 mm
Height	185 mm
Weight	1.533 kg
Volume	7,140 ccm



Ampere	16	16	16	32	32	32
Polzahl	3	4	5	3	4	5
a	75,0	75,0	75,0	75,0	75,0	75,0
b	75,0	75,0	75,0	75,0	75,0	75,0
c	60,0	60,0	60,0	60,0	60,0	60,0
d	60,0	60,0	60,0	60,0	60,0	60,0
e ø	5,5	5,5	5,5	5,5	5,5	5,5
f	7,0	7,0	7,0	8,0	8,0	8,0
h	17,0	26,0	17,0	36,0	36,0	19,0
i	51,0	53,0	53,0	62,0	62,0	62,0
k	70,0	80,0	85,0	90,0	90,0	98,0
l ø	45,0	45,0	55,0	60,0	60,0	60,0
m	3,5	7,0	11,5	12,0	12,0	17,0
Leiter mm ² min	1,5	1,5	1,5	2,5	2,5	2,5
Leiter mm ² max	4	4	4	10	10	10