

panel mounting socket outlet, straight - flange 75x75,  
fixing centers 60x60

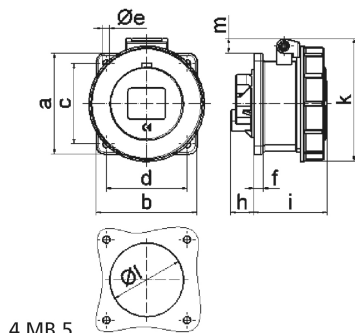


Product description	
BALS-Prd.-Nr	13030
EAN	4024941130301
product category	GT panel mounting socket outlet straight
current	32A
number of poles	4p
number of poles	3P+PE
position of earth contact	10 h
voltage	> 50V

Product description	
frequency	100 up to 300Hz
protection degree	IP67
colour code	green RAL 6002
Colour of appliance	Hinged lid green, Bayonet ring grey, Enclosure grey
connection design	with screw terminal
maximum conductor size	10,0 qmm
cable entry	null
Height	97mm
Width	93.5mm
Depth	101mm
Flange size vertical	75mm
Flange size horizontal	75mm
Drill hole distance vertical	60mm
Drill hole distance horizontal	60mm
material of enclosure	Polyamide
contact	The contact carrier is made of polyamide, The contacts are brass

Logistics data	
Weight/pcs	0.27 kg / Piece
Packaging	Bag
Content amount	1 ST

Logistics data	
EAN	4024941130301
Length	101 mm
Width	93.5 mm
Height	97 mm
Weight	0.271 kg
Volume	916.019 ccm
Packaging	Carton
Content amount	10 ST
EAN	4024941841412
Length	258 mm
Width	183 mm
Height	212 mm
Weight	2.852 kg
Volume	8,750 ccm



Ampere Polzahl	16 3	16 4	16 5	32 3	32 4	32 5
a	75,0	75,0	75,0	75,0	75,0	75,0
b	75,0	75,0	75,0	75,0	75,0	75,0
c	60,0	60,0	60,0	60,0	60,0	60,0
d	60,0	60,0	60,0	60,0	60,0	60,0
e ø	5,5	5,5	5,5	5,5	5,5	5,5
f	7,0	7,0	7,0	8,0	8,0	8,0
h	17,0	26,0	17,0	36,0	36,0	19,0
i	57,0	58,0	57,0	65,0	65,0	65,0
k	76,0	83,0	93,0	100,0	100,0	106,0
l ø	45,0	45,0	55,0	60,0	60,0	60,0
m	3,5	7,0	11,5	12,0	12,0	17,0
Leiter mm <sup>2</sup> min	1,5	1,5	1,5	2,5	2,5	2,5
Leiter mm <sup>2</sup> max	4	4	4	10	10	10