

panel mounting socket outlet, straight - for Event technology

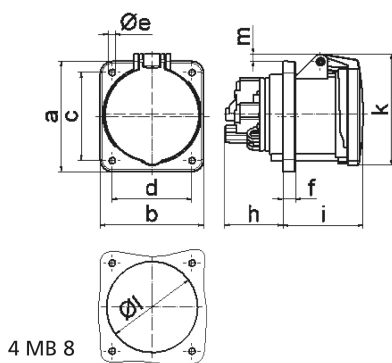


Product description	
BALS-Prd.-Nr	130276
EAN	4024941938952
product category	GT panel mounting socket outlet straight
current	63A
number of poles	5p
number of poles	3p+N+PE
position of earth contact	6 h
voltage	200/346 up to 240/415V

Product description	
frequency	50 and 60Hz
protection degree	IP44
colour code	red RAL 3000
Colour of appliance	Enclosure black, Hinged lid black
connection design	screw terminal as box terminal with Kontex-contact
maximum conductor size	25.0 qmm
cable entry	null
Height	114mm
Width	100mm
Depth	134mm
Flange size vertical	107mm
Flange size horizontal	100mm
Drill hole distance vertical	85mm
Drill hole distance horizontal	77mm
material of enclosure	Polyamide
contact	The contact carrier is made of high temperature resistant material, the contacts are brass nickel plated

Logistics data	
Weight/pcs	0.49 kg / Piece
Packaging	Bag
Content amount	1 ST

Logistics data	
EAN	4024941938952
Length	134 mm
Width	100 mm
Height	114 mm
Weight	0.491 kg
Volume	1,527.6 ccm
Packaging	Carton
Content amount	5 ST
EAN	4024941840323
Length	295 mm
Width	185 mm
Height	215 mm
Weight	2.614 kg
Volume	9,975 ccm



Ampere	63	63	63			
Polzahl	3	4	5			
a	107,0	107,0	107,0			
b	100,0	100,0	100,0			
c	85,0	85,0	85,0			
d	77,0	77,0	77,0			
e ø	6,5	6,5	6,5			
f	12,0	12,0	12,0			
h	56,5	56,5	56,5			
i	77,0	77,0	77,0			
k	110,0	110,0	110,0			
l ø	88,0	88,0	88,0			
m	7,0	7,0	7,0			
Leiter mm ² min	6	6	6			
Leiter mm ² max	25	25	25			