

for Event technology

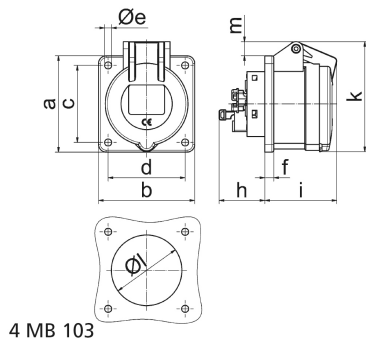


Product description	
BALS-Prd.-Nr	130272
EAN	4024941938914
Product category	Panel mounting socket outlet Quick-Connect, straight
Current	32A
Number of poles	3p
Number of poles	2P+PE
Position of earth contact	6 h
Voltage	200 up to 250V
Frequency	50 and 60Hz

Product description	
Protection degree	IP44
Colour code	blue RAL 5015
Colour of appliance	Enclosure black RAL 9005, Hinged lid black RAL 9005
Connection design	screwless sping/cage/kontex
Maximum conductor size	10,0 qmm
Cable entry	null
Height	91mm
Width	75mm
Depth	115mm
Flange size vertical	75mm
Flange size horizontal	75mm
Drill hole distance vertical	60mm
Drill hole distance horizontal	60mm
Material of enclosure	Polyamide
Contact	The contact carrier is made of polyamide, the contacts are brass nickel plated

Logistics data	
Weight/pcs	0.176 kg / Piece
Packaging	Bag
Content amount	1 ST
EAN	4024941938914

Logistics data	
Length	115 mm
Width	75 mm
Height	91 mm
Weight	0.177 kg
Volume	784.875 ccm
Packaging	Carton
Content amount	10 ST
EAN	4024941840262
Length	258 mm
Width	183 mm
Height	212 mm
Weight	1.909 kg
Volume	8,750 ccm



Ampere Polzahl	16 3	16 4	16 5	32 3	32 4	32 5
a	75,0	75,0	75,0	75,0	75,0	75,0
b	75,0	75,0	75,0	75,0	75,0	75,0
c	60,0	60,0	60,0	60,0	60,0	60,0
d	60,0	60,0	60,0	60,0	60,0	60,0
e ø	5,5	5,5	5,5	5,5	5,5	5,5
f	7,0	7,0	7,0	8,0	8,0	8,0
h	35,5	35,5	35,5	50,0	50,0	50,0
i	52,0	53,0	57,0	65,0	65,0	66,0
k	71,5	80,0	86,0	91,0	91,0	99,0
l ø	45,0	45,0	55,0	60,0	60,0	60,0
m	3,5	7,0	11,5	12,0	12,0	17,0
Leiter mm <sup>2</sup> min	1,5	1,5	1,5	2,5	2,5	2,5
Leiter mm <sup>2</sup> max	4	4	4	10	10	10