

for Event technology

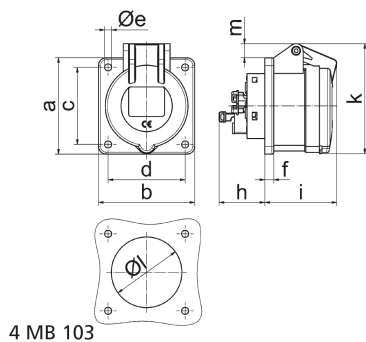


Product description	
BALS-Prd.-Nr	130269
EAN	4024941950688
Product category	Panel mounting socket outlet Quick-Connect, straight
Current	16A
Number of poles	3p
Number of poles	2P+PE
Position of earth contact	6 h
Voltage	200 up to 250V
Frequency	50 and 60Hz

Product description	
Protection degree	IP44
Colour code	blue RAL 5015
Colour of appliance	Enclosure black RAL 9005, Hinged lid black RAL 9005
Connection design	screwless sping/cage/kontex
Maximum conductor size	4,0 qmm
Cable entry	null
Height	78.5mm
Width	75mm
Depth	88mm
Flange size vertical	75mm
Flange size horizontal	75mm
Drill hole distance vertical	60mm
Drill hole distance horizontal	60mm
Material of enclosure	Polyamide
Contact	The contact carrier is made of high temperature resistant material, The contacts are brass

Logistics data	
Weight/pcs	0.113 kg / Piece
Packaging	Bag
Content amount	1 ST
EAN	4024941950688

Logistics data	
Length	88 mm
Width	75 mm
Height	78.5 mm
Weight	0.114 kg
Volume	518.1 ccm
Packaging	Carton
Content amount	10 ST
EAN	4024941840255
Length	275 mm
Width	175 mm
Height	137 mm
Weight	1.255 kg
Volume	5,737.5 ccm



Ampere Polzahl	16 3	16 4	16 5	32 3	32 4	32 5
a	75,0	75,0	75,0	75,0	75,0	75,0
b	75,0	75,0	75,0	75,0	75,0	75,0
c	60,0	60,0	60,0	60,0	60,0	60,0
d	60,0	60,0	60,0	60,0	60,0	60,0
e ø	5,5	5,5	5,5	5,5	5,5	5,5
f	7,0	7,0	7,0	8,0	8,0	8,0
h	35,5	35,5	35,5	50,0	50,0	50,0
i	52,0	53,0	57,0	65,0	65,0	66,0
k	71,5	80,0	86,0	91,0	91,0	99,0
l ø	45,0	45,0	55,0	60,0	60,0	60,0
m	3,5	7,0	11,5	12,0	12,0	17,0
Leiter mm <sup>2</sup> min	1,5	1,5	1,5	2,5	2,5	2,5
Leiter mm <sup>2</sup> max	4	4	4	10	10	10