

panel mounting socket outlet, straight - for reefer containers, flange 75x75

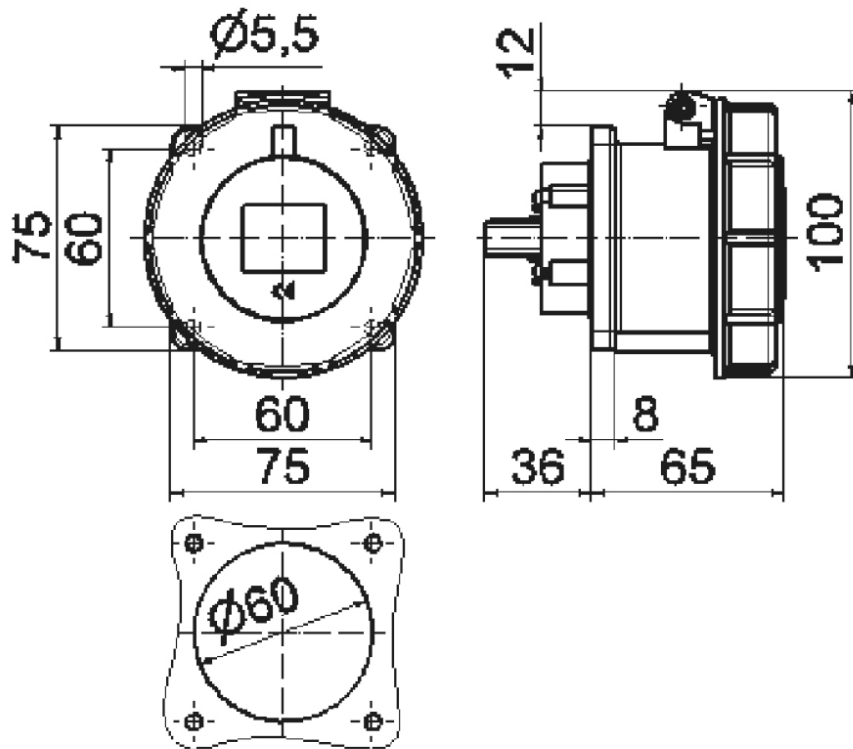


Product description	
BALS-Prd.-Nr	13021
EAN	4024941130219
product category (PG)	TE panel mounting socket outlet, straight
current (A)	32A
number of poles (P99)	4p
number of poles (P)	3P+PE
position of earth contact (H)	3 h
voltage (V)	380 and 440V

Product description	
frequency (HZ)	50 and 60Hz
protection degree (SA)	IP67
colour code 1 (KF1)	red RAL 3000
Colour of appliance	Hinged lid red, Bayonet ring grey, Enclosure grey
connection design (AT)	with screw terminal
maximum conductor size (LQ)	10,0 qmm
cable entry (KE)	null
Height	100mm
Width	93.5mm
Depth	100.4mm
Flange size vertical	75mm
Flange size horizontal	75mm
Drill hole distance vertical	60mm
Drill hole distance horizontal	60mm
material of enclosure (GM)	Polyamide
contact	The contact carrier is made of high temperature resistant material, the contacts are brass nickel plated

Logistics data	
Weight/pcs	0.252 kg / Piece
Packaging	Bag
Content amount	1 ST

Logistics data	
EAN	4024941130219
Length	100.4 mm
Width	93.5 mm
Height	100 mm
Weight	0.253 kg
Volume	938.74 ccm
Packaging	Carton
Content amount	10 ST
EAN	4024941968706
Length	295 mm
Width	185 mm
Height	215 mm
Weight	2.684 kg
Volume	9,975 ccm



4 MB 71