

panel mounting socket outlet, straight - flange 75x75,
fixing centers 60x60

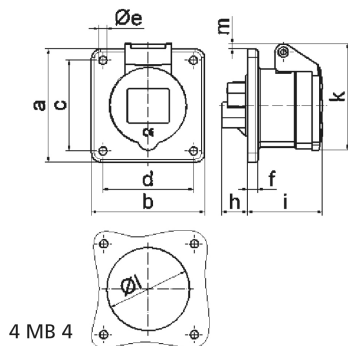


| Product description | |
|-------------------------------|--|
| BALS-Prd.-Nr | 13013 |
| EAN | 4024941130134 |
| product category (PG) | GT panel mounting socket outlet straight |
| current (A) | 32A |
| number of poles (P99) | 4p |
| number of poles (P) | 3P+PE |
| position of earth contact (H) | 10 h |
| voltage (V) | > 50V |

| Product description | |
|--------------------------------|--|
| frequency (HZ) | 100 up to 300Hz |
| protection degree (SA) | IP44 |
| colour code 1 (KF1) | green RAL 6002 |
| Colour of appliance | Hinged lid green, Enclosure grey |
| connection design (AT) | with screw terminal |
| maximum conductor size (LQ) | 10,0 qmm |
| cable entry (KE) | null |
| Height | 90mm |
| Width | 75mm |
| Depth | 99mm |
| Flange size vertical | 75mm |
| Flange size horizontal | 75mm |
| Drill hole distance vertical | 60mm |
| Drill hole distance horizontal | 60mm |
| material of enclosure (GM) | Polyamide |
| contact | The contact carrier is made of polyamide, The contacts are brass |

| Logistics data | |
|----------------|------------------|
| Weight/pcs | 0.197 kg / Piece |
| Packaging | Bag |
| Content amount | 1 ST |

| Logistics data | |
|----------------|---------------|
| EAN | 4024941130134 |
| Length | 99 mm |
| Width | 75 mm |
| Height | 90 mm |
| Weight | 0.198 kg |
| Volume | 668.25 ccm |
| Packaging | Carton |
| Content amount | 10 ST |
| EAN | 4024941821124 |
| Length | 245 mm |
| Width | 177 mm |
| Height | 185 mm |
| Weight | 2.103 kg |
| Volume | 7,140 ccm |



| Ampere Polzahl | 16 3 | 16 4 | 16 5 | 32 3 | 32 4 | 32 5 |
|----------------------------|---------|---------|---------|---------|---------|---------|
| a | 75,0 | 75,0 | 75,0 | 75,0 | 75,0 | 75,0 |
| b | 75,0 | 75,0 | 75,0 | 75,0 | 75,0 | 75,0 |
| c | 60,0 | 60,0 | 60,0 | 60,0 | 60,0 | 60,0 |
| d | 60,0 | 60,0 | 60,0 | 60,0 | 60,0 | 60,0 |
| e ø | 5,5 | 5,5 | 5,5 | 5,5 | 5,5 | 5,5 |
| f | 7,0 | 7,0 | 7,0 | 8,0 | 8,0 | 8,0 |
| h | 17,0 | 26,0 | 17,0 | 36,0 | 36,0 | 19,0 |
| i | 51,0 | 53,0 | 53,0 | 62,0 | 62,0 | 62,0 |
| k | 70,0 | 80,0 | 85,0 | 90,0 | 90,0 | 98,0 |
| l ø | 45,0 | 45,0 | 55,0 | 60,0 | 60,0 | 60,0 |
| m | 3,5 | 7,0 | 11,5 | 12,0 | 12,0 | 17,0 |
| Leiter mm ² min | 1,5 | 1,5 | 1,5 | 2,5 | 2,5 | 2,5 |
| Leiter mm ² max | 4 | 4 | 4 | 10 | 10 | 10 |