

panel mounting socket outlet, angled - flange 85x85,
fixing centers 70x70

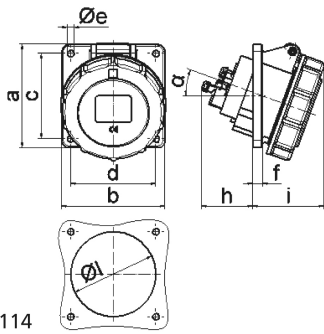


Product description	
BALS-Prd.-Nr	12931
EAN	4024941129312
Product category	Panel mounting socket outlet Quick-Connect, angled
Current	32A
Number of poles	4p
Number of poles	3P+PE
Position of earth contact	7 h
Voltage	480 up to 500V

Product description	
Frequency	50 and 60Hz
Protection degree	IP67
Colour code	black RAL 9005
Colour of appliance	Hinged lid black RAL 9005, Bayonet ring grey RAL 7035, Enclosure grey RAL 7035
Connection design	screwless sping/cage/kontex
Maximum conductor size	10,0 qmm
Cable entry	null
Height	102mm
Width	94mm
Depth	122mm
Flange size vertical	85mm
Flange size horizontal	85mm
Drill hole distance vertical	70mm
Drill hole distance horizontal	70mm
Material of enclosure	Polyamide
Contact	The contact carrier is made of polyamide, The contacts are brass

Additional technical information	
	The inclination is 20°

Logistics data	
Weight/pcs	0.265 kg / Piece
Packaging	Bag
Content amount	1 ST
EAN	4024941129312
Length	122 mm
Width	94 mm
Height	102 mm
Weight	0.266 kg
Volume	1,169.736 ccm
Packaging	Carton
Content amount	10 ST
EAN	4024941958004
Length	122 mm
Width	222 mm
Height	538 mm
Weight	2.988 kg
Volume	14,332.32 ccm



4 MB 114

Ampere	16	16	16	32	32	32
Polzahl	3	4	5	3	4	5
a	85,0	85,0	85,0	85,0	85,0	85,0
b	85,0	85,0	85,0	85,0	85,0	85,0
c	70,0	70,0	70,0	70,0	70,0	70,0
d	70,0	70,0	70,0	70,0	70,0	70,0
e ø	5,5	5,5	5,5	5,5	5,5	5,5
f	8,0	8,0	8,0	8,0	8,0	8,0
h	46,0	46,0	46,0	55,0	55,0	55,0
i	57,0	57,0	60,0	65,0	65,0	69,0
l ø	57,0	65,0	70,0	78,0	78,0	78,0
α	20°	20°	20°	20°	20°	20°
Leiter mm ² min	1,5	1,5	1,5	2,5	2,5	2,5
Leiter mm ² max	4	4	4	10	10	10