

panel mounting socket outlet, angled - flange 85x85,
fixing centers 70x70

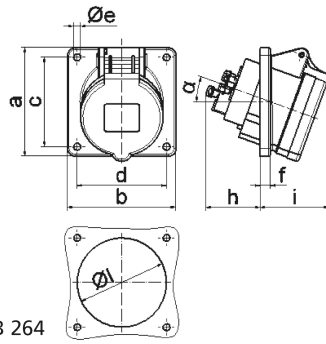


Product description	
BALS-Prd.-Nr	12869
EAN	4024941128698
product group	Panel mounting socket outlet Quick-Connect, angled
current	32A
number of poles	3p
Arrangement of the phases	2P+PE
position of earth contact	2 h
voltage (V)	> 50V

Product description	
frequency	over 300 up to 500Hz
protection degree	IP44
colour code	green RAL 6002
Colour of appliance	Hinged lid green, Enclosure grey
connection design	screwless sping/cage/kontex
maximum conductor size (LQ)	10,0 qmm
cable entry (KE)	null
Height	94mm
Width	85mm
Depth	118mm
Flange size vertical	85mm
Flange size horizontal	85mm
Drill hole distance vertical	70mm
Drill hole distance horizontal	70mm
material of enclosure	Polyamide
contact	The contact carrier is made of polyamide, The contacts are brass

Additional technical information	
	The inclination is 20°

Logistics data	
Weight/pcs	0.185 kg / Piece
Packaging	Bag
Content amount	1 ST
EAN	4024941128698
Length	103 mm
Width	85 mm
Height	89 mm
Weight	0.186 kg
Volume	779.195 ccm
Packaging	Carton
Content amount	10 ST
EAN	4024941829557
Length	128 mm
Width	225 mm
Height	399 mm
Weight	2.109 kg
Volume	11,491.2 ccm



4 MB 264

Ampere	16	16	16	32	32	32
Polzahl	3	4	5	3	4	5
a	85,0	85,0	85,0	85,0	85,0	85,0
b	85,0	85,0	85,0	85,0	85,0	85,0
c	70,0	70,0	70,0	70,0	70,0	70,0
d	70,0	70,0	70,0	70,0	70,0	70,0
e ø	5,5	5,5	5,5	5,5	5,5	5,5
f	8,0	8,0	8,0	8,0	8,0	8,0
h	46,0	46,0	46,0	55,0	55,0	55,0
i	50,0	51,0	54,0	60,0	60,0	60,0
l ø	57,0	65,0	70,0	78,0	78,0	78,0
α	20°	20°	20°	20°	20°	20°
Leiter mm ² min	1,5	1,5	1,5	2,5	2,5	2,5
Leiter mm ² max	4	4	4	10	10	10