

panel mounting socket outlet, angled - flange 100x92,  
fixing centers 85x77

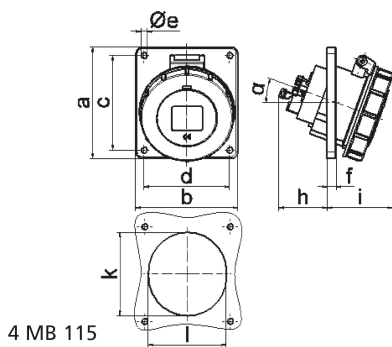


Product description	
BALS-Prd.-Nr	12837
EAN	4024941128377
product group	Panel mounting socket outlet Quick-Connect, angled
current	16A
number of poles	5p
Arrangement of the phases	3p+N+PE
position of earth contact	4 h
voltage (V)	57/100 up to 75/130V

Product description	
frequency	50 and 60Hz
protection degree	IP67
colour code	yellow RAL 1012
Colour of appliance	Hinged lid yellow, Bayonet ring grey, Enclosure grey
connection design	screwless sping/cage/kontex
maximum conductor size (LQ)	4,0 qmm
cable entry (KE)	null
Height	103mm
Width	92mm
Depth	101mm
Flange size vertical	100mm
Flange size horizontal	92mm
Drill hole distance vertical	85mm
Drill hole distance horizontal	77mm
material of enclosure	Polyamide
contact	The contact carrier is made of polyamide, The contacts are brass

Additional technical information	
	The inclination is 20°

Logistics data	
Weight/pcs	0.195 kg / Piece
Packaging	Carton
Content amount	10 ST
EAN	4024941830539
Length	258 mm
Width	183 mm
Height	212 mm
Weight	2.099 kg
Volume	8,750 ccm



Ampere Polzahl	16 3	16 4	16 5	32 3	32 4	32 5
a	74,0	100,0	100,0	100,0	100,0	100,0
b	62,0	92,0	92,0	92,0	92,0	92,0
c	60,0	85,0	85,0	85,0	85,0	85,0
d	52,0	77,0	77,0	77,0	77,0	77,0
e ø	5,5	5,5	5,5	5,5	5,5	5,5
f	8,0	8,0	8,0	8,0	8,0	8,0
h	46,0	46,0	46,0	55,0	55,0	55,0
i	57,0	57,0	60,0	65,0	65,0	69,0
k	57,0	65,0	70,0	75,0	75,0	78,0
l	52,0	65,0	70,0	75,0	75,0	78,0
α	20°	20°	20°	20°	20°	20°
Leiter mm² min	1,5	1,5	1,5	2,5	2,5	2,5
Leiter mm² max	4	4	4	10	10	10