

panel mounting socket outlet, angled - flange 110x110  
fixing centers 90x90

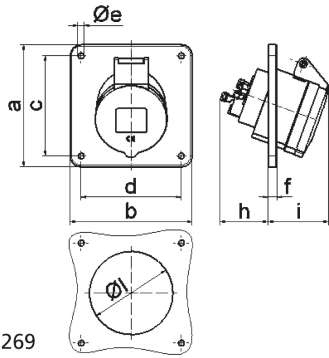


Product description	
BALS-Prd.-Nr	12805
EAN	4024941128056
product group	Panel mounting socket outlet Quick-Connect, angled
current	16A
number of poles	5p
Arrangement of the phases	3p+N+PE
position of earth contact	6 h
voltage (V)	200/346 up to 240/415V

Product description	
frequency	50 and 60Hz
protection degree	IP44
colour code	red RAL 3000
Colour of appliance	Hinged lid red, Enclosure grey
connection design	screwless sping/cage/kontex
maximum conductor size (LQ)	4,0 qmm
cable entry (KE)	null
Height	110mm
Width	110mm
Depth	96mm
Flange size vertical	110mm
Flange size horizontal	110mm
Drill hole distance vertical	90mm
Drill hole distance horizontal	90mm
material of enclosure	Polyamide
contact	The contact carrier is made of polyamide, The contacts are brass

Additional technical information	
	The inclination is 20°

Logistics data	
Weight/pcs	0.183 kg / Piece
Packaging	Bag
Content amount	1 ST
EAN	4024941128056
Length	96 mm
Width	110 mm
Height	110 mm
Weight	0.184 kg
Volume	1,161.6 ccm
Packaging	Carton
Content amount	10 ST
EAN	4024941968461
Length	258 mm
Width	183 mm
Height	212 mm
Weight	1.982 kg
Volume	8,750 ccm



Ampere	16	32				
Polzahl	5	5				
a	110,0	110,0				
b	110,0	110,0				
c	90,0	90,0				
d	90,0	90,0				
e Ø	5,5	5,5				
f	8,0	8,0				
h	46,0	55,0				
i	56,0	60,0				
l Ø	75,0	78,0				
Leiter mm <sup>2</sup> min	1,5	2,5				
Leiter mm <sup>2</sup> max	4	10				