

panel mounting socket outlet, angled - flange 100x92,  
fixing centers 85x77

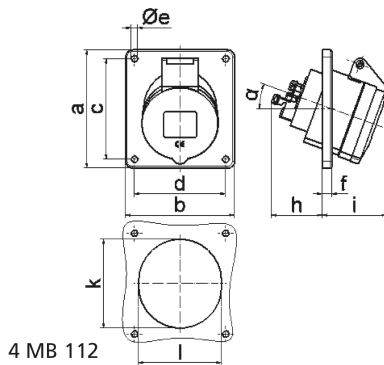


| Product description       |  |
|---------------------------|--|
| BALS-Prd.-Nr              | 12804  |
| EAN                       | 4024941128049                                      |
| product group             | Panel mounting socket outlet Quick-Connect, angled |
| current                   | 32A  |
| number of poles           | 5p   |
| Arrangement of the phases | 3p+N+PE  |
| position of earth contact | 2 h  |
| voltage (V)               | > 50V  |

| Product description            |  |
|--------------------------------|--|
| frequency                      | over 300 up to 500Hz   |
| protection degree              | IP44   |
| colour code                    | green RAL 6002   |
| Colour of appliance            | Hinged lid green, Enclosure grey                                 |
| connection design              | screwless sping/cage/kontex                                      |
| maximum conductor size (LQ)    | 10,0 qmm   |
| cable entry (KE)               | null   |
| Height                         | 103mm  |
| Width                          | 92mm   |
| Depth                          | 113mm  |
| Flange size vertical           | 100mm  |
| Flange size horizontal         | 92mm   |
| Drill hole distance vertical   | 85mm   |
| Drill hole distance horizontal | 77mm   |
| material of enclosure          | Polyamide  |
| contact                        | The contact carrier is made of polyamide, The contacts are brass |

| Additional technical information |                        |
|----------------------------------|------------------------|
|                                  | The inclination is 20° |

| Logistics data |                 |
|----------------|-----------------|
| Weight/pcs     | 0.24 kg / Piece |
| Packaging      | Carton          |
| Content amount | 10 ST           |
| EAN            | 4024941829779   |
| Length         | 258 mm          |
| Width          | 183 mm          |
| Height         | 212 mm          |
| Weight         | 2.549 kg        |
| Volume         | 8,750 ccm       |



| Ampere                     | 16   | 16    | 16    | 32    | 32    | 32    |
|----------------------------|------|-------|-------|-------|-------|-------|
| Polzahl                    | 3    | 4     | 5     | 3     | 4     | 5     |
| a                          | 74,0 | 100,0 | 100,0 | 100,0 | 100,0 | 100,0 |
| b                          | 62,0 | 92,0  | 92,0  | 92,0  | 92,0  | 92,0  |
| c                          | 60,0 | 85,0  | 85,0  | 85,0  | 85,0  | 85,0  |
| d                          | 52,0 | 77,0  | 77,0  | 77,0  | 77,0  | 77,0  |
| e ø                        | 5,5  | 5,5   | 5,5   | 5,5   | 5,5   | 5,5   |
| f                          | 8,0  | 8,0   | 8,0   | 8,0   | 8,0   | 8,0   |
| h                          | 46,0 | 46,0  | 46,0  | 55,0  | 55,0  | 55,0  |
| i                          | 48,0 | 50,0  | 55,0  | 68,0  | 68,0  | 60,0  |
| k                          | 57,0 | 65,0  | 70,0  | 75,0  | 75,0  | 78,0  |
| l                          | 52,0 | 65,0  | 70,0  | 75,0  | 75,0  | 78,0  |
| α                          | 20°  | 20°   | 20°   | 20°   | 20°   | 20°   |
| Leiter mm <sup>2</sup> min | 1,5  | 1,5   | 1,5   | 2,5   | 2,5   | 2,5   |
| Leiter mm <sup>2</sup> max | 4    | 4     | 4     | 10    | 10    | 10    |