

panel mounting socket outlet, angled - flange 100x92,
fixing centers 85x77

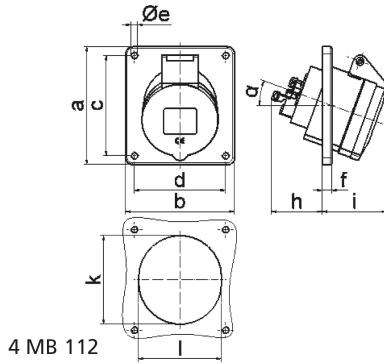


Product description	
BALS-Prd.-Nr	12793
EAN	4024941127936
product group	Panel mounting socket outlet Quick-Connect, angled
current	32A
number of poles	4p
Arrangement of the phases	3P+PE
position of earth contact	4 h
voltage (V)	100 up to 130V

Product description	
frequency	50 and 60Hz
protection degree	IP44
colour code	yellow RAL 1012
Colour of appliance	Hinged lid yellow, Enclosure grey
connection design	screwless sping/cage/kontex
maximum conductor size (LQ)	10,0 qmm
cable entry (KE)	null
Height	101mm
Width	92mm
Depth	117mm
Flange size vertical	100mm
Flange size horizontal	92mm
Drill hole distance vertical	85mm
Drill hole distance horizontal	77mm
material of enclosure	Polyamide
contact	The contact carrier is made of polyamide, The contacts are brass

Additional technical information	
	The inclination is 20°

Logistics data	
Weight/pcs	0.21 kg / Piece
Packaging	Bag
Content amount	1 ST
EAN	4024941127936
Length	117 mm
Width	92 mm
Height	101 mm
Weight	0.211 kg
Volume	1,087.164 ccm
Packaging	Carton
Content amount	10 ST
EAN	4024941829601
Length	122 mm
Width	222 mm
Height	538 mm
Weight	2.438 kg
Volume	14,332.32 ccm



Ampere	16	16	16	32	32	32
Polzahl	3	4	5	3	4	5
a	74,0	100,0	100,0	100,0	100,0	100,0
b	62,0	92,0	92,0	92,0	92,0	92,0
c	60,0	85,0	85,0	85,0	85,0	85,0
d	52,0	77,0	77,0	77,0	77,0	77,0
e Ø	5,5	5,5	5,5	5,5	5,5	5,5
f	8,0	8,0	8,0	8,0	8,0	8,0
h	46,0	46,0	46,0	55,0	55,0	55,0
i	48,0	50,0	55,0	68,0	68,0	60,0
k	57,0	65,0	70,0	75,0	75,0	78,0
l	52,0	65,0	70,0	75,0	75,0	78,0
α	20°	20°	20°	20°	20°	20°
Leiter mm ² min	1,5	1,5	1,5	2,5	2,5	2,5
Leiter mm ² max	4	4	4	10	10	10