

panel mounting socket outlet, angled - flange 85x85,
fixing centers 70x70

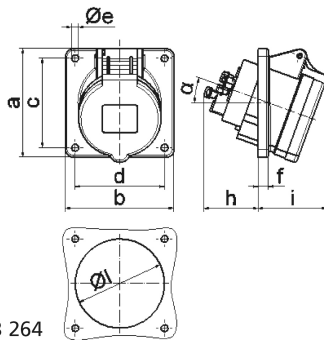


Product description	
BALS-Prd.-Nr	12766
EAN	4024941127660
product group	Panel mounting socket outlet Quick-Connect, angled
current	32A
number of poles	5p
Arrangement of the phases	3p+N+PE
position of earth contact	4 h
voltage (V)	57/100 up to 75/130V

Product description	
frequency	50 and 60Hz
protection degree	IP44
colour code	yellow RAL 1012
Colour of appliance	Hinged lid yellow, Enclosure grey
connection design	screwless sping/cage/kontex
maximum conductor size (LQ)	10,0 qmm
cable entry (KE)	null
Height	102mm
Width	85mm
Depth	119mm
Flange size vertical	85mm
Flange size horizontal	85mm
Drill hole distance vertical	70mm
Drill hole distance horizontal	70mm
material of enclosure	Polyamide
contact	The contact carrier is made of polyamide, The contacts are brass

Additional technical information	
	The inclination is 20°

Logistics data	
Weight/pcs	0.235 kg / Piece
Packaging	Carton
Content amount	10 ST
EAN	4024941829427
Length	258 mm
Width	183 mm
Height	212 mm
Weight	2.499 kg
Volume	8,750 ccm



4 MB 264

Ampere Polzahl	16 3	16 4	16 5	32 3	32 4	32 5
a	85,0	85,0	85,0	85,0	85,0	85,0
b	85,0	85,0	85,0	85,0	85,0	85,0
c	70,0	70,0	70,0	70,0	70,0	70,0
d	70,0	70,0	70,0	70,0	70,0	70,0
e Ø	5,5	5,5	5,5	5,5	5,5	5,5
f	8,0	8,0	8,0	8,0	8,0	8,0
h	46,0	46,0	46,0	55,0	55,0	55,0
i	50,0	51,0	54,0	60,0	60,0	60,0
l Ø	57,0	65,0	70,0	78,0	78,0	78,0
α	20°	20°	20°	20°	20°	20°
Leiter mm ² min	1,5	1,5	1,5	2,5	2,5	2,5
Leiter mm ² max	4	4	4	10	10	10