

panel mounting socket outlet, angled - flange 75x75,
fixing centers 60x60

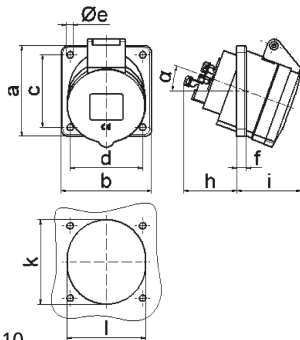


Product description	
BALS-Prd.-Nr	12743
EAN	4024941127431
product group	Panel mounting socket outlet Quick-Connect, angled
current	16A
number of poles	5p
Arrangement of the phases	3p+N+PE
position of earth contact	4 h
voltage (V)	57/100 up to 75/130V

Product description	
frequency	50 and 60Hz
protection degree	IP44
colour code	yellow RAL 1012
Colour of appliance	Hinged lid yellow, Enclosure grey
connection design	screwless sping/cage/kontex
maximum conductor size (LQ)	4,0 qmm
cable entry (KE)	null
Height	90mm
Width	75mm
Depth	96mm
Flange size vertical	75mm
Flange size horizontal	75mm
Drill hole distance vertical	60mm
Drill hole distance horizontal	60mm
material of enclosure	Polyamide
contact	The contact carrier is made of polyamide, The contacts are brass

Additional technical information	
	The inclination is 20°

Logistics data	
Weight/pcs	0.14 kg / Piece
Packaging	Carton
Content amount	10 ST
EAN	4024941829304
Length	245 mm
Width	177 mm
Height	185 mm
Weight	1.533 kg
Volume	7,140 ccm



4 MB 110

Ampere	16						
Polzahl	5						
a	75,0						
b	75,0						
c	60,0						
d	60,0						
e ø	5,5						
f	8,0						
h	46,0						
i	54,0						
k	70,0						
l	65,0						
α	20°						
Leiter mm² min	1,5						
Leiter mm² max	4						