

## flange 85x85, fixing centers 70x70

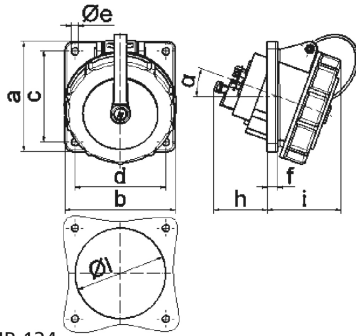


Product description	
BALS-Prd.-Nr	12699
EAN	4024941126991
product group	TN panel mounting socket outlet Quick-Connect, angled
current	16A
number of poles	4p
Arrangement of the phases	3P+PE
position of earth contact	6 h
voltage (V)	380 up to 415V
frequency	50 and 60Hz

Product description	
VG-Type-No.:	VG 96919 BS 018
protection degree	IP67
colour code	bronze-green RAL 6031-F9
Colour of appliance	Bayonet ring bronze-green, Hinged lid bronze-green, Enclosure bronze-green, Enclosure grey
connection design	screwless sping/cage/kontex
maximum conductor size (LQ)	4,0 qmm
cable entry (KE)	null
Height	90mm
Width	85mm
Depth	99mm
Flange size vertical	85mm
Flange size horizontal	85mm
Drill hole distance vertical	70mm
Drill hole distance horizontal	70mm
material of enclosure	Polyamide
contact	The contact carrier is made of high temperature resistant material, the contacts are brass nickel plated

Additional technical information	
	The inclination is 20°
	With bayonet cover on strap

Logistics data	
Weight/pcs	0.179 kg / Piece
Packaging	Bag
Content amount	1 ST
EAN	4024941126991
Length	99 mm
Width	85 mm
Height	90 mm
Weight	0.18 kg
Volume	757.35 ccm
Packaging	Carton
Content amount	10 ST
EAN	4024941838580
Length	258 mm
Width	183 mm
Height	212 mm
Weight	1.942 kg
Volume	8,750 ccm



4 MB 124

Ampere	16	16	16	32	32	32
Polzahl	3	4	5	3	4	5
a	85,0	85,0	85,0	85,0	85,0	85,0
b	85,0	85,0	85,0	85,0	85,0	85,0
c	70,0	70,0	70,0	70,0	70,0	70,0
d	70,0	70,0	70,0	70,0	70,0	70,0
e ø	5,5	5,5	5,5	5,5	5,5	5,5
f	8,0	8,0	8,0	8,0	8,0	8,0
h	46,0	46,0	46,0	50,0	50,0	50,0
i	57,0	57,0	60,0	67,0	67,0	69,0
l ø	57,0	65,0	70,0	78,0	78,0	78,0
α	20°	20°	20°	20°	20°	20°
Leiter mm <sup>2</sup> min	1,5	1,5	1,5	2,5	2,5	2,5
Leiter mm <sup>2</sup> max	4,0	4,0	4,0	10,0	10,0	10,0