

panel mounting socket outlet, angled - flange 114x114,
fixing centers 90x90

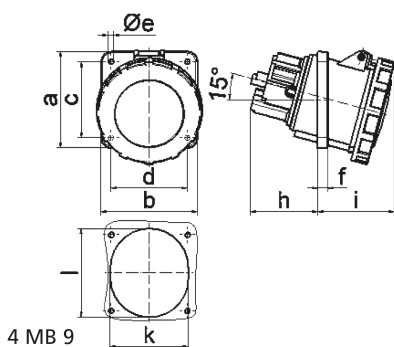


Product description	
BALS-Prd.-Nr	12689
EAN	4024941938099
Product category	TE panel mounting socket outlet, angled
Current	125A
Number of poles	5p
Number of poles	3p+N+PE
Position of earth contact	1 h
Voltage	>50V for all other

Product description	
Protection degree	IP67
Colour code	gray RAL 7035
Colour of appliance	Hinged lid grey RAL 7035, Bayonet ring grey RAL 7035, Enclosure grey RAL 7035
Connection design	kontex contact
Maximum conductor size	70.0 qmm
Cable entry	null
Height	135mm
Width	125mm
Depth	172mm
Flange size vertical	114mm
Flange size horizontal	114mm
Drill hole distance vertical	90mm
Drill hole distance horizontal	90mm
Material of enclosure	Polyamide
Contact	The contact carrier is made of high temperature resistant material, the contacts are brass nickel plated

Logistics data	
Weight/pcs	0.98 kg / Piece
Packaging	Bag
Content amount	1 ST

Logistics data	
EAN	4024941938099
Length	172 mm
Width	125 mm
Height	135 mm
Weight	0.981 kg
Volume	2,902.5 ccm
Packaging	Carton
Content amount	5 ST
EAN	4024941836258
Length	325 mm
Width	217 mm
Height	210 mm
Weight	5.106 kg
Volume	13,588.4 ccm



Ampere Polzahl	63 3	63 4	63 5
a	114,0	114,0	114,0
b	114,0	114,0	114,0
c	90,0	90,0	90,0
d	90,0	90,0	90,0
e \varnothing	6,5	6,5	6,5
f	12,0	12,0	12,0
h	65,0	65,0	65,0
i	80,0	80,0	80,0
k	92,0	92,0	92,0
l	92,0	92,0	92,0
Leiter mm ² min	6	6	6
Leiter mm ² max	25	25	25