

panel mounting socket outlet, angled - flange 85x85, with auxiliary contact normally open - "normally closed"

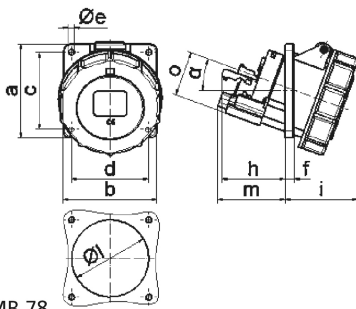


Product description	
BALS-Prd.-Nr	12653
EAN	4024941126533
product group	TE panel mounting socket outlet Quick-Connect, angled
current	16A
number of poles	4p
Arrangement of the phases	3P+PE
position of earth contact	7 h
voltage (V)	480 up to 500V

Product description	
frequency	50 and 60Hz
protection degree	IP67
colour code	black RAL 9005
Colour of appliance	Hinged lid black, Bayonet ring grey, Enclosure grey
connection design	screwless sping/cage/kontex
maximum conductor size (LQ)	4,0 qmm
cable entry (KE)	null
Height	91mm
Width	85mm
Depth	112mm
Flange size vertical	85mm
Flange size horizontal	85mm
Drill hole distance vertical	70mm
Drill hole distance horizontal	70mm
material of enclosure	Polyamide
contact	The contact carrier is made of high temperature resistant material, the contacts are brass nickel plated

Additional technical information	
	The inclination is 20°
	With N.O.contact normally open

Logistics data	
Weight/pcs	0.0 kg / Piece
Packaging	Bag
Content amount	1 ST
EAN	4024941126533
Length	112 mm
Width	85 mm
Height	91 mm
Weight	0.001 kg
Volume	866.32 ccm
Packaging	Carton
Content amount	10 ST
EAN	4024941831161
Length	245 mm
Width	177 mm
Height	185 mm
Weight	0.133 kg
Volume	7,140 ccm



4 MB 78

Ampere Polzahl	16 3	16 4	16 5	32 3	32 4	32 5
a	85,0	85,0	85,0	85,0	85,0	85,0
b	85,0	85,0	85,0	85,0	85,0	85,0
c	70,0	70,0	70,0	70,0	70,0	70,0
d	70,0	70,0	70,0	70,0	70,0	70,0
e	5,5	5,5	5,5	5,5	5,5	5,5
f	8,0	8,0	8,0	8,0	8,0	8,0
h	46,0	46,0	46,0	55,0	55,0	55,0
i	57,0	57,0	60,0	65,0	65,0	69,0
l	57,0	65,0	70,0	75,0	75,0	78,0
m	57,0	57,0	58,0	62,0	62,0	63,0
o	34,0	37,0	41,0	42,0	42,0	44,0
α	20°	20°	20°	20°	20°	20°