

panel mounting socket outlet, angled - flange 85x85, with auxiliary contact normally open - "normally closed"

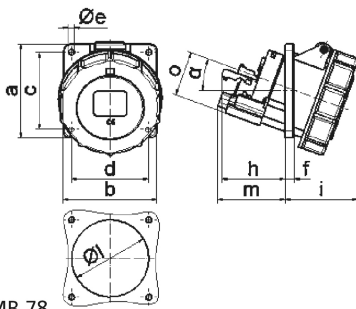


Product description	
BALS-Prd.-Nr	12652
EAN	4024941126526
product group	TE panel mounting socket outlet Quick-Connect, angled
current	32A
number of poles	4p
Arrangement of the phases	3P+PE
position of earth contact	7 h
voltage (V)	480 up to 500V

Product description	
frequency	50 and 60Hz
protection degree	IP67
colour code	black RAL 9005
Colour of appliance	Hinged lid black, Bayonet ring grey, Enclosure grey
connection design	screwless sping/cage/kontex
maximum conductor size (LQ)	10,0 qmm
cable entry (KE)	null
Height	102mm
Width	94mm
Depth	129mm
Flange size vertical	85mm
Flange size horizontal	85mm
Drill hole distance vertical	70mm
Drill hole distance horizontal	70mm
material of enclosure	Polyamide
contact	The contact carrier is made of high temperature resistant material, the contacts are brass nickel plated

Additional technical information	
	The inclination is 20°
	With N.O.contact normally open

Logistics data	
Weight/pcs	0.0 kg / Piece
Packaging	Bag
Content amount	1 ST
EAN	4024941126526
Length	129 mm
Width	94 mm
Height	102 mm
Weight	0.001 kg
Volume	1,236.852 ccm
Packaging	Carton
Content amount	10 ST
EAN	4024941831178
Length	295 mm
Width	185 mm
Height	215 mm
Weight	0.164 kg
Volume	9,975 ccm



4 MB 78

Ampere	16	16	16	32	32	32
Polzahl	3	4	5	3	4	5
a	85,0	85,0	85,0	85,0	85,0	85,0
b	85,0	85,0	85,0	85,0	85,0	85,0
c	70,0	70,0	70,0	70,0	70,0	70,0
d	70,0	70,0	70,0	70,0	70,0	70,0
e	5,5	5,5	5,5	5,5	5,5	5,5
f	8,0	8,0	8,0	8,0	8,0	8,0
h	46,0	46,0	46,0	55,0	55,0	55,0
i	57,0	57,0	60,0	65,0	65,0	69,0
l	57,0	65,0	70,0	75,0	75,0	78,0
m	57,0	57,0	58,0	62,0	62,0	63,0
o	34,0	37,0	41,0	42,0	42,0	44,0
α	20°	20°	20°	20°	20°	20°