

panel mounting socket outlet, angled - flange 100x92,
fixing centers 85x77

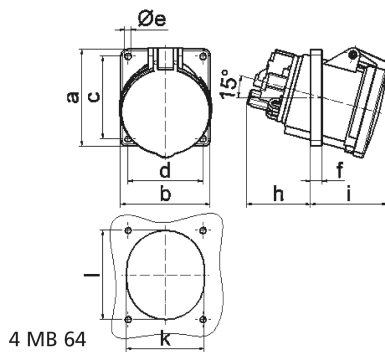


Product description	
BALS-Prd.-Nr	12566
EAN	4024941125666
product category (PG)	GT panel mounting socket outlet, angled
current (A)	63A
number of poles (P99)	5p
number of poles (P)	3p+N+PE
position of earth contact (H)	4 h
voltage (V)	57/100 up to 75/130V

Product description	
frequency (HZ)	50 and 60Hz
protection degree (SA)	IP44
colour code 1 (KF1)	yellow RAL 1012
Colour of appliance	Hinged lid yellow, Enclosure grey
connection design (AT)	screw terminal as box terminal with Kontex-contact
maximum conductor size (LQ)	25.0 qmm
cable entry (KE)	null
Height	114mm
Width	95mm
Depth	147mm
Flange size vertical	100mm
Flange size horizontal	92mm
Drill hole distance vertical	85mm
Drill hole distance horizontal	77mm
material of enclosure (GM)	Polyamide
contact	The contact carrier is made of high temperature resistant material, the contacts are brass nickel plated

Additional technical information	
	The inclination is 15°

Logistics data	
Weight/pcs	0.52 kg / Piece
Packaging	Carton
Content amount	10 ST
EAN	4024941829786
Length	325 mm
Width	217 mm
Height	210 mm
Weight	5.402 kg
Volume	13,588.4 ccm



Ampere	63	63	63				
Polzahl	3	4	5				
a	100,0	100,0	100,0				
b	92,0	92,0	92,0				
c	85,0	85,0	85,0				
d	77,0	77,0	77,0				
e.Ø	6,5	6,5	6,5				
f	12,0	12,0	12,0				
h	65,0	65,0	65,0				
i	81,0	81,0	81,0				
k	80,0	80,0	80,0				
l	92,0	92,0	92,0				
Leiter mm ² min	6	6	6				
Leiter mm ² max	25	25	25				