

panel mounting socket outlet, angled - flange 100x92,
fixing centers 85x77

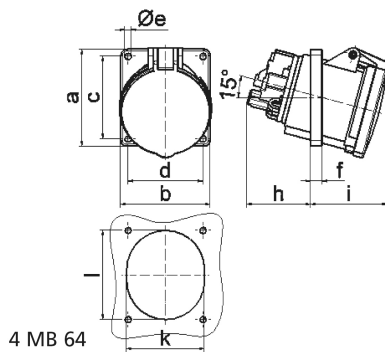


| Product description | |
|-------------------------------|---|
| BALS-Prd.-Nr | 12563 |
| EAN | 4024941125635 |
| product category (PG) | GT panel mounting socket outlet, angled |
| current (A) | 63A |
| number of poles (P99) | 3p |
| number of poles (P) | 2P+PE |
| position of earth contact (H) | 6 h |
| voltage (V) | 200 up to 250V |

| Product description | |
|--------------------------------|--|
| frequency (HZ) | 50 and 60Hz |
| protection degree (SA) | IP44 |
| colour code 1 (KF1) | blue RAL 5015 |
| Colour of appliance | Hinged lid blue, Enclosure grey |
| connection design (AT) | screw terminal as box terminal with Kontex-contact |
| maximum conductor size (LQ) | 25.0 qmm |
| cable entry (KE) | null |
| Height | 114mm |
| Width | 95mm |
| Depth | 147mm |
| Flange size vertical | 100mm |
| Flange size horizontal | 92mm |
| Drill hole distance vertical | 85mm |
| Drill hole distance horizontal | 77mm |
| material of enclosure (GM) | Polyamide |
| contact | The contact carrier is made of high temperature resistant material, the contacts are brass nickel plated |

| Additional technical information | |
|----------------------------------|------------------------|
| | The inclination is 15° |

| Logistics data | |
|----------------|------------------|
| Weight/pcs | 0.415 kg / Piece |
| Packaging | Carton |
| Content amount | 10 ST |
| EAN | 4024941958639 |
| Length | 325 mm |
| Width | 217 mm |
| Height | 210 mm |
| Weight | 4.352 kg |
| Volume | 13,588.4 ccm |



| | | | | | | |
|----------------------------|-------|-------|-------|--|--|--|
| Ampere | 63 | 63 | 63 | | | |
| Polzahl | 3 | 4 | 5 | | | |
| a | 100,0 | 100,0 | 100,0 | | | |
| b | 92,0 | 92,0 | 92,0 | | | |
| c | 85,0 | 85,0 | 85,0 | | | |
| d | 77,0 | 77,0 | 77,0 | | | |
| e.Ø | 6,5 | 6,5 | 6,5 | | | |
| f | 12,0 | 12,0 | 12,0 | | | |
| h | 65,0 | 65,0 | 65,0 | | | |
| i | 81,0 | 81,0 | 81,0 | | | |
| k | 80,0 | 80,0 | 80,0 | | | |
| l | 92,0 | 92,0 | 92,0 | | | |
| Leiter mm ² min | 6 | 6 | 6 | | | |
| Leiter mm ² max | 25 | 25 | 25 | | | |