

panel mounting socket outlet, angled - flange 85x85,
fixing centers 70x70

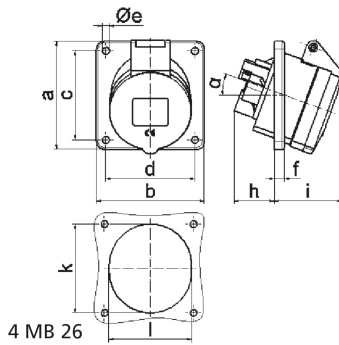


Product description	
BALS-Prd.-Nr	12483
EAN	4024941124836
product category (PG)	GT panel mounting socket outlet, angled
current (A)	16A
number of poles (P99)	3p
number of poles (P)	2P+PE
position of earth contact (H)	2 h
voltage (V)	> 50V

Product description	
frequency (HZ)	over 300 up to 500Hz
protection degree (SA)	IP44
colour code 1 (KF1)	green RAL 6002
Colour of appliance	Hinged lid green, Enclosure grey
connection design (AT)	with screw terminal
maximum conductor size (LQ)	4,0 qmm
cable entry (KE)	null
Height	85mm
Width	85mm
Depth	80mm
Flange size vertical	85mm
Flange size horizontal	85mm
Drill hole distance vertical	70mm
Drill hole distance horizontal	70mm
material of enclosure (GM)	Polyamide
contact	The contact carrier is made of polyamide, The contacts are brass

Additional technical information	
	The inclination is 20°

Logistics data	
Weight/pcs	0.15 kg / Piece
Packaging	Bag
Content amount	1 ST
EAN	4024941124836
Length	80 mm
Width	85 mm
Height	85 mm
Weight	0.151 kg
Volume	578 ccm
Packaging	Carton
Content amount	10 ST
EAN	4024941841191
Length	245 mm
Width	177 mm
Height	185 mm
Weight	1.633 kg
Volume	7,140 ccm



Ampere	16	16	16	32	32	32
Polzahl	3	4	5	3	4	5
a	85,0	85,0	85,0	85,0	85,0	85,0
b	85,0	85,0	85,0	85,0	85,0	85,0
c	70,0	70,0	70,0	70,0	70,0	70,0
d	70,0	70,0	70,0	70,0	70,0	70,0
e ø	5,5	5,5	5,5	5,5	5,5	5,5
f	8,0	8,0	8,0	8,0	8,0	8,0
h	30,0	30,0	30,0	50,0	50,0	34,0
i	48,0	50,0	54,0	63,0	63,0	60,0
k	57,0	65,0	70,0	78,0	78,0	78,0
l	57,0	65,0	70,0	78,0	78,0	78,0
α	20°	20°	20°	20°	20°	20°
Leiter mm ² min	1,5	1,5	1,5	2,5	2,5	2,5
Leiter mm ² max	4	4	4	10	10	10