

panel mounting socket outlet, angled - flange 114x114,  
fixing centers 90x90

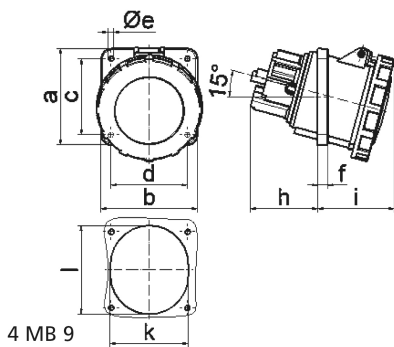


Product description	
BALS-Prd.-Nr	12410
EAN	4024941124102
Product category	TE panel mounting socket outlet, angled
Current	63A
Number of poles	4p
Number of poles	3P+PE
Position of earth contact	6 h
Voltage	380 up to 415V

Product description	
Frequency	50 and 60Hz
Protection degree	IP67
Colour code	red RAL 3000
Colour of appliance	Hinged lid red RAL 3000, Bayonet ring grey RAL 7035, Enclosure grey RAL 7035
Connection design	kontex contact
Maximum conductor size	25.0 qmm
Cable entry	null
Height	125mm
Width	114mm
Depth	147mm
Flange size vertical	114mm
Flange size horizontal	114mm
Drill hole distance vertical	90mm
Drill hole distance horizontal	90mm
Material of enclosure	Polyamide
Contact	The contact carrier is made of high temperature resistant material, the contacts are brass nickel plated

Additional technical information	
	The inclination is 15°

Logistics data	
Weight/pcs	0.56 kg / Piece
Packaging	Carton
Content amount	5 ST
EAN	4024941831574
Length	295 mm
Width	185 mm
Height	215 mm
Weight	2.961 kg
Volume	9,975 ccm



Ampere	63	63	63				
Polzahl	3	4	5				
a	114,0	114,0	114,0				
b	114,0	114,0	114,0				
c	90,0	90,0	90,0				
d	90,0	90,0	90,0				
e ø	6,5	6,5	6,5				
f	12,0	12,0	12,0				
h	65,0	65,0	65,0				
i	80,0	80,0	80,0				
k	92,0	92,0	92,0				
l	92,0	92,0	92,0				
Leiter mm² min	6	6	6				
Leiter mm² max	25	25	25				