

panel mounting socket outlet, angled - flange 114x114,
fixing centers 90x90

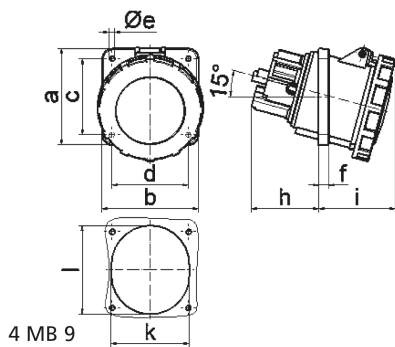


Product description	
BALS-Prd.-Nr	12409
EAN	4024941124096
product category (PG)	TE panel mounting socket outlet, angled
current (A)	63A
number of poles (P99)	3p
number of poles (P)	2P+PE
position of earth contact (H)	6 h
voltage (V)	200 up to 250V

Product description	
frequency (HZ)	50 and 60Hz
protection degree (SA)	IP67
colour code 1 (KF1)	blue RAL 5015
Colour of appliance	Hinged lid blue, Bayonet ring grey, Enclosure grey
connection design (AT)	screw terminal as box terminal with Kontex-contact
maximum conductor size (LQ)	25.0 qmm
cable entry (KE)	null
Height	125mm
Width	114mm
Depth	147mm
Flange size vertical	114mm
Flange size horizontal	114mm
Drill hole distance vertical	90mm
Drill hole distance horizontal	90mm
material of enclosure (GM)	Polyamide
contact	The contact carrier is made of high temperature resistant material, the contacts are brass nickel plated

Additional technical information	
	The inclination is 15°

Logistics data	
Weight/pcs	0.51 kg / Piece
Packaging	Carton
Content amount	5 ST
EAN	4024941831567
Length	295 mm
Width	185 mm
Height	215 mm
Weight	2.711 kg
Volume	9,975 ccm



Ampere	63	63	63				
Polzahl	3	4	5				
a	114,0	114,0	114,0				
b	114,0	114,0	114,0				
c	90,0	90,0	90,0				
d	90,0	90,0	90,0				
e ø	6,5	6,5	6,5				
f	12,0	12,0	12,0				
h	65,0	65,0	65,0				
i	80,0	80,0	80,0				
k	92,0	92,0	92,0				
l	92,0	92,0	92,0				
Leiter mm ² min	6	6	6				
Leiter mm ² max	25	25	25				