

# panel mounting socket outlet, angled - 7 poles, flange 100x92

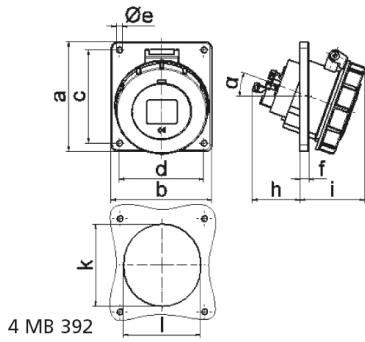


Product description	
BALS-Prd.-Nr	12395
EAN	4024941123952
Product category	TE panel mounting socket outlet, angled
Current	16A
Number of poles	7p
Number of poles	6p+PE
Position of earth contact	6 h
Voltage	400V

Product description	
Frequency	50 and 60Hz
Protection degree	IP67
Colour code	red RAL 3000
Colour of appliance	Hinged lid red RAL 3000, Bayonet ring grey RAL 7035, Enclosure grey RAL 7035
Connection design	with screw terminal
Maximum conductor size	4,0 qmm
Cable entry	null
Height	103mm
Width	92mm
Depth	90mm
Flange size vertical	100mm
Flange size horizontal	92mm
Drill hole distance vertical	85mm
Drill hole distance horizontal	77mm
Material of enclosure	Polyamide
Contact	The contact carrier is made of high temperature resistant material, the contacts are brass nickel plated

Additional technical information	
	The inclination is 20°

Logistics data	
Weight/pcs	0.248 kg / Piece
Packaging	Bag
Content amount	1 ST
EAN	4024941123952
Length	90 mm
Width	92 mm
Height	103 mm
Weight	0.249 kg
Volume	852.84 ccm
Packaging	Carton
Content amount	10 ST
EAN	4024941820622
Length	245 mm
Width	177 mm
Height	185 mm
Weight	2.613 kg
Volume	7,140 ccm



Ampere	16	32					
Polzahl	7	7					
a	100,0	100,0					
b	92,0	92,0					
c	85,0	85,0					
d	77,0	77,0					
e ø	5,5	5,5					
f	8,0	8,0					
h	46,0	61,0					
i	60,0	69,0					
k	70,0	78,0					
l	70,0	78,0					
∞	20°	20°					
Leiter mm <sup>2</sup> min	1,5	2,5					
Leiter mm <sup>2</sup> max	4	10					