

# panel mounting socket outlet, angled - 7 poles, flange 100x92

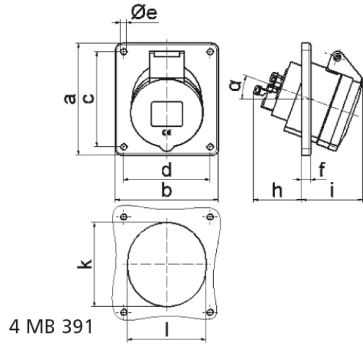


Product description	
BALS-Prd.-Nr	12393
EAN	4024941123938
Product category	GT panel mounting socket outlet, angled
Current	32A
Number of poles	7p
Number of poles	6p+PE
Position of earth contact	6 h
Voltage	400V

Product description	
Frequency	50 and 60Hz
Protection degree	IP44
Colour code	red RAL 3000
Colour of appliance	Hinged lid red RAL 3000, Enclosure grey RAL 7035
Connection design	with screw terminal
Maximum conductor size	10,0 qmm
Cable entry	null
Height	103mm
Width	92mm
Depth	94mm
Flange size vertical	100mm
Flange size horizontal	92mm
Drill hole distance vertical	85mm
Drill hole distance horizontal	77mm
Material of enclosure	Polyamide
Contact	The contact carrier is made of high temperature resistant material, The contacts are brass

Additional technical information	
	The inclination is 20°

Logistics data	
Weight/pcs	0.288 kg / Piece
Packaging	Bag
Content amount	1 ST
EAN	4024941123938
Length	94 mm
Width	92 mm
Height	103 mm
Weight	0.289 kg
Volume	890.744 ccm
Packaging	Carton
Content amount	10 ST
EAN	4024941827775
Length	258 mm
Width	183 mm
Height	212 mm
Weight	3.032 kg
Volume	8,750 ccm



Ampere	16	32					
Polzahl	7	7					
a	100,0	100,0					
b	92,0	92,0					
c	85,0	85,0					
d	77,0	77,0					
e ø	5,5	5,5					
f	8,0	8,0					
h	46,0	61,0					
i	55,0	60,0					
k	70,0	78,0					
l	70,0	78,0					
∞	20°	20°					
Leiter mm <sup>2</sup> min	1,5	2,5					
Leiter mm <sup>2</sup> max	4	10					