

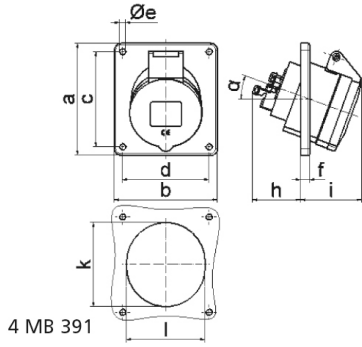
panel mounting socket outlet, angled - 7 poles, flange 100x92



Product description	
BALS-Prd.-Nr	12392
EAN	4024941123921
product category (PG)	GT panel mounting socket outlet, angled
current (A)	32A
number of poles (P99)	7p
number of poles (P)	6p+PE
position of earth contact (H)	9 h
voltage (V)	230V

Product description	
frequency (HZ)	50 and 60Hz
protection degree (SA)	IP44
colour code 1 (KF1)	blue RAL 5015
Colour of appliance	Hinged lid blue RAL 5015, Enclosure grey RAL 7035
connection design (AT)	with screw terminal
maximum conductor size (LQ)	10,0 qmm
cable entry (KE)	null
Height	103mm
Width	92mm
Depth	94mm
Flange size vertical	100mm
Flange size horizontal	92mm
Drill hole distance vertical	85mm
Drill hole distance horizontal	77mm
material of enclosure (GM)	Polyamide
contact	The contact carrier is made of high temperature resistant material, The contacts are brass silver plated

Additional technical information	
	The inclination is 20°



Ampere	16	32					
Polzahl	7	7					
a	100,0	100,0					
b	92,0	92,0					
c	85,0	85,0					
d	77,0	77,0					
e ø	5,5	5,5					
f	8,0	8,0					
h	46,0	61,0					
i	55,0	60,0					
k	70,0	78,0					
l	70,0	78,0					
∞	20°	20°					
Leiter mm ² min	1,5	2,5					
Leiter mm ² max	4	10					