

flange 85x85, fixing centers 70x70

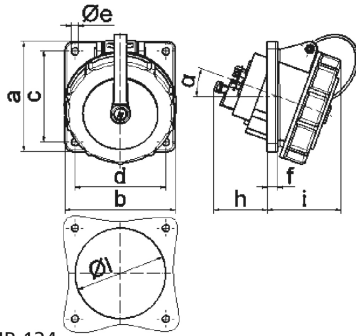


Product description	
BALS-Prd.-Nr	12236
EAN	4024941122368
product group	TN panel mounting socket outlet Quick-Connect, angled
current	16A
number of poles	5p
Arrangement of the phases	3p+N+PE
position of earth contact	2 h
voltage (V)	> 50V
frequency	over 300 up to 500Hz

Product description	
VG-Type-No.:	VG 96919 BS 004
protection degree	IP67
colour code	bronze-green RAL 6031-F9
Colour of appliance	Bayonet ring bronze-green, Hinged lid bronze-green, Enclosure bronze-green, Enclosure grey
connection design	screwless sping/cage/kontex
maximum conductor size (LQ)	4,0 qmm
cable entry (KE)	null
Height	96mm
Width	86.5mm
Depth	103mm
Flange size vertical	85mm
Flange size horizontal	85mm
Drill hole distance vertical	70mm
Drill hole distance horizontal	70mm
material of enclosure	Polyamide
contact	The contact carrier is made of high temperature resistant material, the contacts are brass nickel plated

Additional technical information	
	The inclination is 20°
	With bayonet cover on strap

Logistics data	
Weight/pcs	0.2 kg / Piece
Packaging	Bag
Content amount	1 ST
EAN	4024941122368
Length	103 mm
Width	86.5 mm
Height	96 mm
Weight	0.201 kg
Volume	855.312 ccm
Packaging	Carton
Content amount	10 ST
EAN	4024941838665
Length	295 mm
Width	185 mm
Height	215 mm
Weight	2.164 kg
Volume	9,975 ccm



4 MB 124

Ampere	16	16	16	32	32	32
Polzahl	3	4	5	3	4	5
a	85,0	85,0	85,0	85,0	85,0	85,0
b	85,0	85,0	85,0	85,0	85,0	85,0
c	70,0	70,0	70,0	70,0	70,0	70,0
d	70,0	70,0	70,0	70,0	70,0	70,0
e ø	5,5	5,5	5,5	5,5	5,5	5,5
f	8,0	8,0	8,0	8,0	8,0	8,0
h	46,0	46,0	46,0	50,0	50,0	50,0
i	57,0	57,0	60,0	67,0	67,0	69,0
l ø	57,0	65,0	70,0	78,0	78,0	78,0
α	20°	20°	20°	20°	20°	20°
Leiter mm ² min	1,5	1,5	1,5	2,5	2,5	2,5
Leiter mm ² max	4,0	4,0	4,0	10,0	10,0	10,0