

panel mounting socket outlet, angled - flange 114x114,
fixing centers 90x90

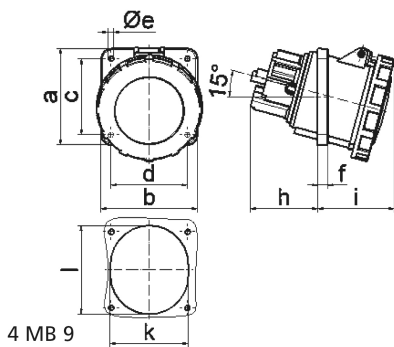


| Product description | |
|---------------------------|---|
| BALS-Prd.-Nr | 12156 |
| EAN | 4024941121569 |
| Product category | TE panel mounting socket outlet, angled |
| Current | 63A |
| Number of poles | 4p |
| Number of poles | 3P+PE |
| Position of earth contact | 7 h |
| Voltage | 480 up to 500V |

| Product description | |
|--------------------------------|--|
| Frequency | 50 and 60Hz |
| Protection degree | IP67 |
| Colour code | black RAL 9005 |
| Colour of appliance | Hinged lid black RAL 9005, Bayonet ring grey RAL 7035, Enclosure grey RAL 7035 |
| Connection design | kontex contact |
| Maximum conductor size | 25.0 qmm |
| Cable entry | null |
| Height | 125mm |
| Width | 114mm |
| Depth | 147mm |
| Flange size vertical | 114mm |
| Flange size horizontal | 114mm |
| Drill hole distance vertical | 90mm |
| Drill hole distance horizontal | 90mm |
| Material of enclosure | Polyamide |
| Contact | The contact carrier is made of high temperature resistant material, the contacts are brass nickel plated |

| Additional technical information | |
|----------------------------------|------------------------|
| | The inclination is 15° |

| Logistics data | |
|----------------|-----------------|
| Weight/pcs | 0.56 kg / Piece |
| Packaging | Carton |
| Content amount | 5 ST |
| EAN | 4024941831581 |
| Length | 295 mm |
| Width | 185 mm |
| Height | 215 mm |
| Weight | 2.961 kg |
| Volume | 9,975 ccm |



| Ampere | 63 | 63 | 63 | | | |
|----------------|-------|-------|-------|--|--|--|
| Polzahl | 3 | 4 | 5 | | | |
| a | 114,0 | 114,0 | 114,0 | | | |
| b | 114,0 | 114,0 | 114,0 | | | |
| c | 90,0 | 90,0 | 90,0 | | | |
| d | 90,0 | 90,0 | 90,0 | | | |
| e ø | 6,5 | 6,5 | 6,5 | | | |
| f | 12,0 | 12,0 | 12,0 | | | |
| h | 65,0 | 65,0 | 65,0 | | | |
| i | 80,0 | 80,0 | 80,0 | | | |
| k | 92,0 | 92,0 | 92,0 | | | |
| l | 92,0 | 92,0 | 92,0 | | | |
| Leiter mm² min | 6 | 6 | 6 | | | |
| Leiter mm² max | 25 | 25 | 25 | | | |