

## flange 74x62, fixing centers 60x52



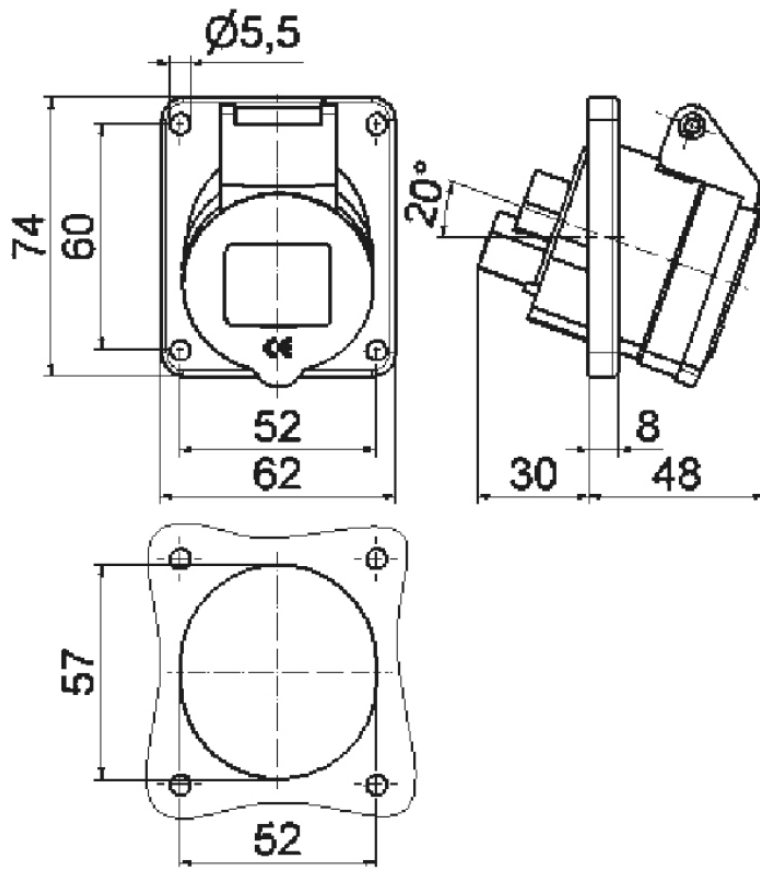
Product description	
BALS-Prd.-Nr	12144
EAN	4024941121446
product category (PG)	GT panel mounting socket outlet, angled
current (A)	16A
number of poles (P99)	3p
number of poles (P)	2P+PE
position of earth contact (H)	3 h
voltage (V)	over 50 up to 250V
frequency (HZ)	direct current (DC)

Product description	
protection degree (SA)	IP44
colour code 1 (KF1)	gray RAL 7035
Colour of appliance	Hinged lid grey, Enclosure grey
connection design (AT)	with screw terminal
maximum conductor size (LQ)	4,0 qmm
cable entry (KE)	null
Height	74mm
Width	62mm
Depth	76mm
Flange size vertical	74mm
Flange size horizontal	62mm
Drill hole distance vertical	60mm
Drill hole distance horizontal	52mm
material of enclosure (GM)	Polyamide
contact	The contact carrier is made of high temperature resistant material, the contacts are brass nickel plated

Additional technical information	
	The inclination is 20°

Logistics data	
Weight/pcs	0.111 kg / Piece

Logistics data	
Packaging	Bag
Content amount	1 ST
EAN	4024941121446
Length	76 mm
Width	62 mm
Height	74 mm
Weight	0.112 kg
Volume	348.688 ccm
Packaging	Carton
Content amount	10 ST
EAN	4024941837729
Length	207 mm
Width	162 mm
Height	142 mm
Weight	1.21 kg
Volume	3,750 ccm



## 4 MB 73