

panel mounting socket outlet, angled - flange 85x85, with auxiliary contact normally open - "normally closed"

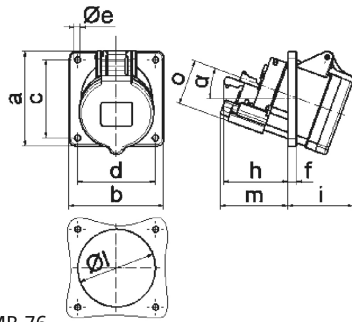


| Product description | |
|---------------------------|---|
| BALS-Prd.-Nr | 120590 |
| EAN | 4024941014786 |
| product group | TE panel mounting socket outlet Quick-Connect, angled |
| current | 32A |
| number of poles | 4p |
| Arrangement of the phases | 3P+PE |
| position of earth contact | 6 h |
| voltage (V) | 380 up to 415V |

| Product description | |
|--------------------------------|--|
| frequency | 50 and 60Hz |
| protection degree | IP44 |
| colour code | red RAL 3000 |
| Colour of appliance | Hinged lid red, Enclosure grey |
| connection design | screwless sping/cage/kontex |
| maximum conductor size (LQ) | 10,0 qmm |
| cable entry (KE) | null |
| Height | 94mm |
| Width | 85mm |
| Depth | 126mm |
| Flange size vertical | 85mm |
| Flange size horizontal | 85mm |
| Drill hole distance vertical | 70mm |
| Drill hole distance horizontal | 70mm |
| material of enclosure | Polyamide |
| contact | The contact carrier is made of high temperature resistant material, the contacts are brass nickel plated |

| Additional technical information | |
|----------------------------------|--------------------------------|
| | The inclination is 20° |
| | With N.O.contact normally open |

| Logistics data | |
|----------------|------------------|
| Weight/pcs | 0.222 kg / Piece |
| Packaging | Bag |
| Content amount | 1 ST |
| EAN | 4024941014786 |
| Length | 126 mm |
| Width | 85 mm |
| Height | 94 mm |
| Weight | 0.223 kg |
| Volume | 1,006.74 ccm |
| Packaging | Carton |
| Content amount | 10 ST |
| EAN | 4024941962490 |
| Length | 295 mm |
| Width | 185 mm |
| Height | 215 mm |
| Weight | 2.384 kg |
| Volume | 9,975 ccm |



4 MB 76

| Ampere | 16 | 16 | 16 | 32 | 32 | 32 |
|---------|------|------|------|------|------|------|
| Polzahl | 3 | 4 | 4 | 3 | 4 | 5 |
| a | 85,0 | 85,0 | 85,0 | 85,0 | 85,0 | 85,0 |
| b | 85,0 | 85,0 | 85,0 | 85,0 | 85,0 | 85,0 |
| c | 70,0 | 70,0 | 70,0 | 70,0 | 70,0 | 70,0 |
| d | 70,0 | 70,0 | 70,0 | 70,0 | 70,0 | 70,0 |
| e | 5,5 | 5,5 | 5,5 | 5,5 | 5,5 | 5,5 |
| f | 8,0 | 8,0 | 8,0 | 8,0 | 8,0 | 8,0 |
| h | 46,0 | 46,0 | 46,0 | 61,0 | 61,0 | 61,0 |
| i | 50,0 | 51,0 | 54,0 | 60,0 | 60,0 | 60,0 |
| l | 57,0 | 65,0 | 70,0 | 78,0 | 78,0 | 78,0 |
| m | 57,0 | 57,0 | 58,0 | 62,0 | 62,0 | 63,0 |
| o | 34,0 | 37,0 | 41,0 | 42,0 | 42,0 | 44,0 |
| α | 20° | 20° | 20° | 20° | 20° | 20° |