

panel mounting socket outlet, angled - flange 114x114, with electrical interlocking PSK

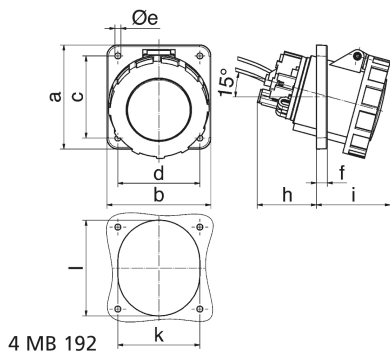


Product description	
BALS-Prd.-Nr	12052
EAN	4024941120524
product category (PG)	GT panel mounting socket outlet, angled
current (A)	63A
number of poles (P99)	4p
number of poles (P)	3P+PE
position of earth contact (H)	6 h
voltage (V)	380 up to 415V

Product description	
frequency (HZ)	50 and 60Hz
protection degree (SA)	IP67
colour code 1 (KF1)	red RAL 3000
Colour of appliance	Hinged lid red, Bayonet ring grey, Enclosure grey
connection design (AT)	screw terminal as box terminal with Kontex-contact
maximum conductor size (LQ)	25.0 qmm
cable entry (KE)	null
Height	125mm
Width	114mm
Depth	147mm
Flange size vertical	114mm
Flange size horizontal	114mm
Drill hole distance vertical	90mm
Drill hole distance horizontal	90mm
material of enclosure (GM)	Polyamide
contact	The contact carrier is made of high temperature resistant material, the contacts are brass nickel plated

Additional technical information	
	The inclination is 15°, electrically interlocked wit

Logistics data	
Weight/pcs	0.6 kg / Piece
Packaging	Carton
Content amount	5 ST
EAN	4024941843775
Length	295 mm
Width	185 mm
Height	215 mm
Weight	3.161 kg
Volume	9,975 ccm



Ampere	63	63	125	125		
Polzahl	4	5	4	5		
a	114,0	114,0	114,0	114,0		
b	114,0	114,0	114,0	114,0		
c	90,0	90,0	90,0	90,0		
d	90,0	90,0	90,0	90,0		
e ø	6,5	6,5	6,5	6,5		
f	12,0	12,0	12,0	12,0		
h	65,0	65,0	82,0	82,0		
i	81,0	81,0	90,0	90,0		
k	92,0	92,0	92,0	92,0		
l	92,0	92,0	105,0	105,0		
Leiter mm ² min	6	6	25	25		
Leiter mm ² max	25	25	70	70		