

for Event technology



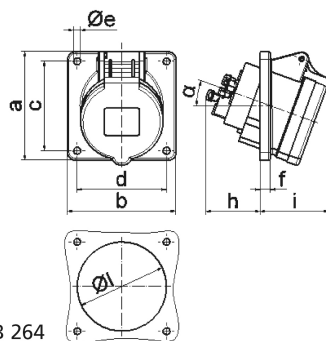
Product description	
BALS-Prd.-Nr	120441
EAN	4024941938853
product category (PG)	Panel mounting socket outlet Quick-Connect, angled
current (A)	32A
number of poles (P99)	5p
number of poles (P)	3p+N+PE
position of earth contact (H)	6 h
voltage (V)	200/346 up to 240/415V
frequency (HZ)	50 and 60Hz

Product description	
protection degree (SA)	IP44
colour code 1 (KF1)	red RAL 3000
Colour of appliance	Enclosure black RAL 9005, Hinged lid black RAL 9005, Enclosure grey RAL 7035
connection design (AT)	screwless sping/cage/kontex
maximum conductor size (LQ)	10,0 qmm
cable entry (KE)	null
Height	102mm
Width	85mm
Depth	119mm
Flange size vertical	85mm
Flange size horizontal	85mm
Drill hole distance vertical	70mm
Drill hole distance horizontal	70mm
material of enclosure (GM)	Polyamide
contact	The contact carrier is made of polyamide, the contacts are brass nickel plated

Additional technical information	
	The inclination is 20°

Logistics data	
Weight/pcs	0.219 kg / Piece

Logistics data	
Packaging	Bag
Content amount	1 ST
EAN	4024941938853
Length	119 mm
Width	85 mm
Height	102 mm
Weight	0.22 kg
Volume	1,031.73 ccm
Packaging	Carton
Content amount	10 ST
EAN	4024941840385
Length	258 mm
Width	183 mm
Height	212 mm
Weight	2.342 kg
Volume	8,750 ccm



Ampere Polzahl	16 3	16 4	16 5	32 3	32 4	32 5
a	85,0	85,0	85,0	85,0	85,0	85,0
b	85,0	85,0	85,0	85,0	85,0	85,0
c	70,0	70,0	70,0	70,0	70,0	70,0
d	70,0	70,0	70,0	70,0	70,0	70,0
e ø	5,5	5,5	5,5	5,5	5,5	5,5
f	8,0	8,0	8,0	8,0	8,0	8,0
h	46,0	46,0	46,0	55,0	55,0	55,0
i	50,0	51,0	54,0	60,0	60,0	60,0
l ø	57,0	65,0	70,0	78,0	78,0	78,0
α	20°	20°	20°	20°	20°	20°
Leiter mm² min	1,5	1,5	1,5	2,5	2,5	2,5
Leiter mm² max	4	4	4	10	10	10