

panel mounting socket outlet, angled - flange 114x114,
fixing centers 90x90

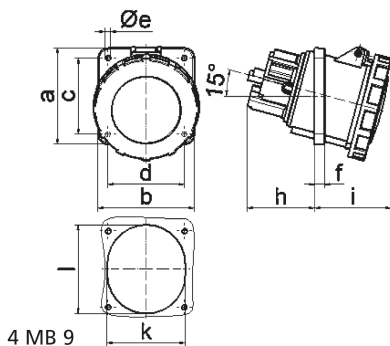


| Product description | |
|---------------------------|---|
| BALS-Prd.-Nr | 12034 |
| EAN | 4024941120340 |
| Product category | TE panel mounting socket outlet, angled |
| Current | 125A |
| Number of poles | 4p |
| Number of poles | 3P+PE |
| Position of earth contact | 5 h |
| Voltage | 600 up to 690V |

| Product description | |
|--------------------------------|--|
| Frequency | 50 and 60Hz |
| Protection degree | IP67 |
| Colour code | black RAL 9005 |
| Colour of appliance | Hinged lid black RAL 9005, Bayonet ring grey RAL 7035, Enclosure grey RAL 7035 |
| Connection design | kontex contact |
| Maximum conductor size | 70.0 qmm |
| Cable entry | null |
| Height | 135mm |
| Width | 125mm |
| Depth | 172mm |
| Flange size vertical | 114mm |
| Flange size horizontal | 114mm |
| Drill hole distance vertical | 90mm |
| Drill hole distance horizontal | 90mm |
| Material of enclosure | Polyamide |
| Contact | The contact carrier is made of high temperature resistant material, the contacts are brass nickel plated |

| Logistics data | |
|----------------|------------------|
| Weight/pcs | 0.965 kg / Piece |
| Packaging | Bag |

| Logistics data | |
|----------------|---------------|
| Content amount | 1 ST |
| EAN | 4024941120340 |
| Length | 172 mm |
| Width | 125 mm |
| Height | 135 mm |
| Weight | 0.966 kg |
| Volume | 2,902.5 ccm |
| Packaging | Carton |
| Content amount | 5 ST |
| EAN | 4024941837972 |
| Length | 325 mm |
| Width | 217 mm |
| Height | 210 mm |
| Weight | 5.031 kg |
| Volume | 13,588.4 ccm |



| Ampere | 125 | 125 | 125 | | | |
|----------------|-------|-------|-------|--|--|--|
| Polzahl | 3 | 4 | 5 | | | |
| a | 114,0 | 114,0 | 114,0 | | | |
| b | 114,0 | 114,0 | 114,0 | | | |
| c | 90,0 | 90,0 | 90,0 | | | |
| d | 90,0 | 90,0 | 90,0 | | | |
| e ø | 6,5 | 6,5 | 6,5 | | | |
| f | 12,0 | 12,0 | 12,0 | | | |
| h | 82,0 | 82,0 | 82,0 | | | |
| i | 90,0 | 90,0 | 90,0 | | | |
| k | 92,0 | 92,0 | 92,0 | | | |
| l | 105,0 | 105,0 | 105,0 | | | |
| Leiter mm² min | 25 | 25 | 25 | | | |
| Leiter mm² max | 70 | 70 | 70 | | | |