

panel mounting socket outlet, angled - flange 114x114,
fixing centers 90x90

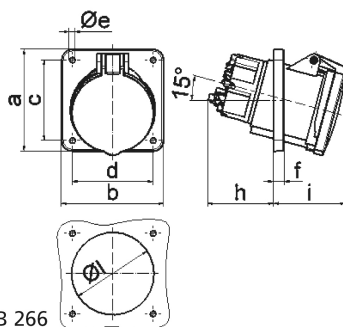


Product description	
BALS-Prd.-Nr	120321
EAN	4024941201216
product group	TE panel mounting socket outlet Quick-Connect, angled
current	63A
number of poles	4p
Arrangement of the phases	3P+PE
position of earth contact	6 h
voltage (V)	380 up to 415V

Product description	
frequency	50 and 60Hz
protection degree	IP44
colour code	red RAL 3000
Colour of appliance	Hinged lid red, Enclosure grey
connection design	screwless spring terminal
maximum conductor size (LQ)	25.0 qmm
cable entry (KE)	null
Height	119mm
Width	114mm
Depth	159mm
Flange size vertical	114mm
Flange size horizontal	114mm
Drill hole distance vertical	90mm
Drill hole distance horizontal	90mm
material of enclosure	Polyamide
contact	The contact carrier is made of high temperature resistant material, the contacts are brass nickel plated

Additional technical information	
	The inclination is 15°

Logistics data	
Weight/pcs	0.57 kg / Piece
Packaging	Carton
Content amount	5 ST
EAN	4024941829908
Length	295 mm
Width	185 mm
Height	215 mm
Weight	3.014 kg
Volume	9,975 ccm



Ampere	63	63				
Polzahl	4	5				
a	114,0	114,0				
b	114,0	114,0				
c	90,0	90,0				
d	90,0	90,0				
e Ø	6,5	6,5				
f	12,0	12,0				
h	74,0	74,0				
i	81,0	81,0				
l Ø	92,0	92,0				
Leiter mm ² min	6	6				
Leiter mm ² max	25	25				