

panel mounting socket outlet, angled - flange 114x114,
fixing centers 90x90

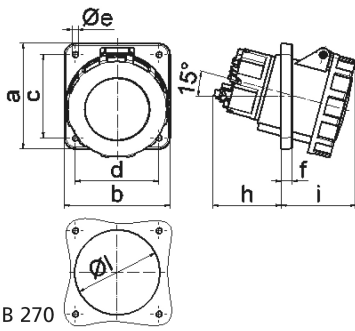


| Product description | |
|---------------------------|---|
| BALS-Prd.-Nr | 120307 |
| EAN | 4024941146852 |
| product group | TE panel mounting socket outlet Quick-Connect, angled |
| current | 63A |
| number of poles | 5p |
| Arrangement of the phases | 3p+N+PE |
| position of earth contact | 6 h |
| voltage (V) | 200/346 up to 240/415V |

| Product description | |
|--------------------------------|--|
| frequency | 50 and 60Hz |
| protection degree | IP67 |
| colour code | red RAL 3000 |
| Colour of appliance | Hinged lid red, Bayonet ring grey, Enclosure grey |
| connection design | screwless spring terminal |
| maximum conductor size (LQ) | 25.0 qmm |
| cable entry (KE) | null |
| Height | 114mm |
| Width | 114mm |
| Depth | 158mm |
| Flange size vertical | 114mm |
| Flange size horizontal | 114mm |
| Drill hole distance vertical | 90mm |
| Drill hole distance horizontal | 90mm |
| material of enclosure | Polyamide |
| contact | The contact carrier is made of high temperature resistant material, the contacts are brass nickel plated |

| Additional technical information | |
|----------------------------------|------------------------|
| | The inclination is 15° |

| Logistics data | |
|----------------|-----------------|
| Weight/pcs | 0.68 kg / Piece |
| Packaging | Bag |
| Content amount | 1 ST |
| EAN | 4024941146852 |
| Length | 158 mm |
| Width | 114 mm |
| Height | 114 mm |
| Weight | 0.681 kg |
| Volume | 2,053.368 ccm |
| Packaging | Carton |
| Content amount | 5 ST |
| EAN | 4024941830881 |
| Length | 295 mm |
| Width | 185 mm |
| Height | 215 mm |
| Weight | 3.561 kg |
| Volume | 9,975 ccm |



4 MB 270

| Ampere | 63 | 63 | | | | |
|----------------------------|-------|-------|--|--|--|--|
| Polzahl | 4 | 5 | | | | |
| a | 114,0 | 114,0 | | | | |
| b | 114,0 | 114,0 | | | | |
| c | 90,0 | 90,0 | | | | |
| d | 90,0 | 90,0 | | | | |
| e ø | 6,5 | 6,5 | | | | |
| f | 12,0 | 12,0 | | | | |
| h | 74,0 | 74,0 | | | | |
| i | 80,0 | 80,0 | | | | |
| l ø | 92,0 | 92,0 | | | | |
| Leiter mm ² min | 6 | 6 | | | | |
| Leiter mm ² max | 25 | 25 | | | | |
| | | | | | | |
| | | | | | | |